



BLASTHOLE DRILLING



Innovative Blasthole Consumables and Tooling

B-BBEE
LEVEL 2
CONTRIBUTOR



PROVIDING
**BLASTHOLE
DRILLING
PRODUCTS**

SINCE

1999

Mammoth

**BETTER
AFFORDABLE
SAFER
EASIER**



www.mammothtech.co.za

Index

Mammoth Technologies Company Overview

Contact Details	(II - III)
Company Overview	(IV)
Mammoth Services	(V)
Product Map	(VII)

Mammoth Innovative Products

Mammoth Breakout Wrench	1-27
Mammoth Clamp Wrench	28-31
Mammoth DM30 Mast	32-35
Mammoth Crane	36-39
Mammoth Shock Sub	40-43
Mammoth Hole Sweeper	44-49

Mammoth Drill Consumables

Mammoth Stemlock	50-59
Mammoth Deckbush	60-67
Mammoth Drill Rod	68-75
Mammoth Sub Adaptors	76-83
Top / Bottom Sub	
Saver Sub	
Mammoth Stabilizer	84-89
Mammoth Accessories	90-95
Bit Breakout Pot	
Lifting Bail	

Contact Details

Business Director

Kim Ishwarlall

Mobile: +27 [0] 82 889 9992

Email: kim@mammothtech.co.za

Drafting & Design

Juan Gouws

Mobile: +27 (0)72 597 2695

Email: technical@mammothtech.co.za

Skype: juanguws

Marketing Manager

Graham Brandling

Mobile: +27 (0)82 701 1296

Email: marketing@mammothtech.co.za

Skype: graham.brandling

Product Specialist

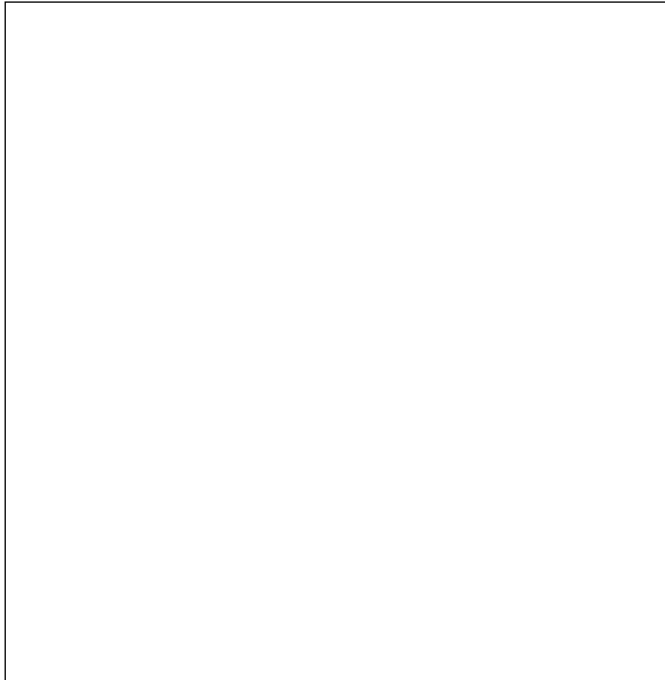
Buks van Rooyen

Mobile: +27 (0)72 580 4340

Email: buks@mammothtech.co.za

Skype: buks_45

Distributor/Agent



Contact Details

Mammoth Technologies Pretoria (Head Office)

6689 Kotzenberg Street, Rosslyn,
Pretoria, 0200, Gauteng
Tel: +27 (0)12 541 4196
Fax: +27 (0)12 541 4183
www.mammothtech.co.za

Mammoth Technologies Witbank Office

9A Chopin Street, Klarinet Business Area,
eMalaheni, 1035, Mpumalanga
Tel: +27 (0)13 656 1391
Fax: +27 (0)13 690 1587
Email: enquiries@mammothtech.co.za

Regional Joint Venture/Distributor

Mokopane Region
Letona Holdings
Phill Kgaphola
Cell: 078 437 6832 | Tel: (015) 280 0156
Email address: admin@letonaholdings.com
Website address: www.letonaholdings.com

Mammoth Drill Tools - Australia Office

Mammoth Drill Tools Main Warehouse

U2/7 Mordaunt Circuit
Canning Vale WA 6155
www.mammothdrilltools.com.au

Mammoth Drill Tools Australia Head Office

83 Spine street
Sumner
QLD 4074

Contact Person: Paul Fooks
Business Development
Mobile: 061 427 475546
Skype: paul.fooks
Email: paulf@mammothdrilltools.com.au

Drilling Supply Brasil

Address:
Rua Natal Veronez 82, Tres Barras, Contagem -
Minas Gerais, Brasil

Contact Person: Celso Albuquerque
Sales Manager
Mobile: (55)(31)9884-9898/3398-9830
Email: marketing@mammothtech.co.za

Mammoth Distributors

Middle East and North Africa

STS Engineering Group
Phone: +201221328311, +233541656787
Address: Building 12 Street 285, Maadi, Nasr
Road, Cairo, 11757
Website: www.stsengineeringgroup.com
Email : info@stsengineeringgroup.com

Introduction

Mammoth Technologies (Mammoth) is a design and manufacturing corporation within the mining and drilling industry, creating a dynamic presence in the international market.

The Mammoth Breakout Wrench drew attention to our innovative yet uncomplicated approach to problem-solving within the global market when we first introduced it in 1999.

Development and product refinement and improvement is a continuous process in the business.

Our product development drive has been shaped and guided by the requirements, needs and frustrations gleaned from our clients in the global market. This has led us to develop a reasonably priced range of durable, cost-effective products in the various sectors of the mining industry. They were designed for: improving safety; simplifying operation; lowering maintenance costs.

Vision Statement

Our vision is to be a well-established brand in the mining and drilling industry, leading the way through safety, quality, service, and price, driven by ethical standards and time tested values.

Mission Statement

To produce better products that are affordable, safer to use and easier to work with. Better. Affordable. Safer. Easier

Expertise

Mammoth Technologies takes responsibility for all the phases of the process including conceptualization, market research, design, manufacturing and testing, through to distribution and service.

All manufacturing (including process manufacturing) is done in-house.

Mammoth Services

Mammoth Technologies offers a wide range of versatility in our field of expertise.

General Services

- R&D
- CAD drawings, 3D/solids, simulations and more
- Innovative solutions to relative problems
- Conceptualization
- Hydraulic Design
- Electrical Design
- Application Specific Hardware Design
- Application Specific Software Design
- Manufacturing
- Process Manufacturing
- Reverse Engineering
- Patent Searches / Patents Processing
- Specific problem solving and research
- Product marketing solutions

Innovative and Consumable Services

- Servicing and repairs of Mammoth innovative products
- Breakout benches for breaking of tight joints, due to tension build up during drilling
- Straightening and repairs of drill rods



Repairs/Services/Refurbishment

repairs@mammothtech.co.za

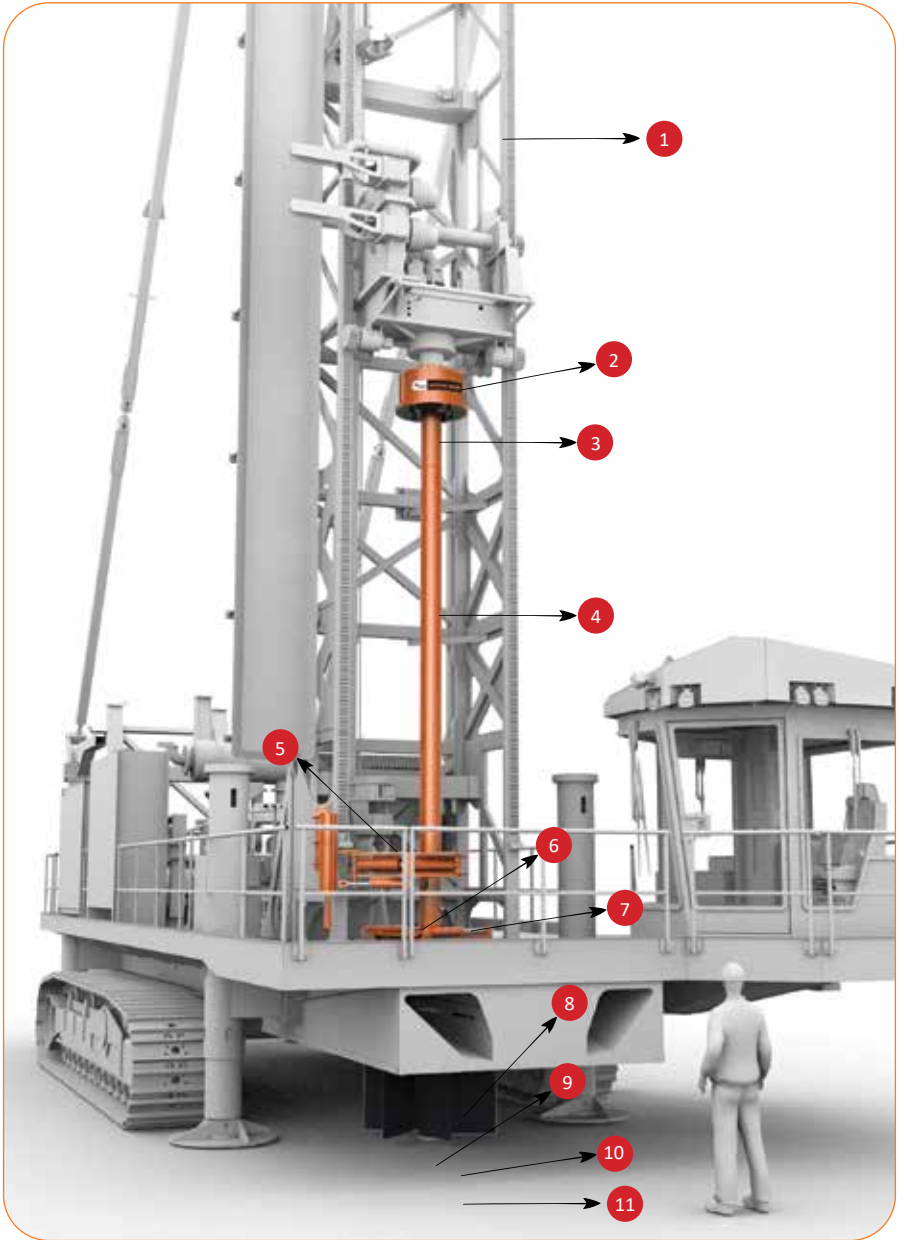
For all general repairs, services, and refurbishments on Mammoth products, including existing products, regardless of manufacturer or origin.

Product Quality

Because of our uncompromising commitment to safety, quality and functionality it is essential that only approved genuine parts and consumables are used on the Mammoth product range.



Product Map





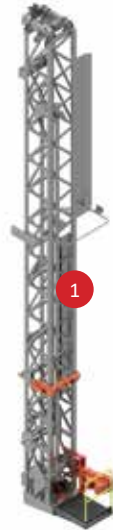
Mammoth Drill Rod



Mammoth Deckbush



Mammoth Hole Sweeper



Mammoth DM30 Mast



Tricone Drill Bit



Mammoth Breakout Wrench



Mammoth Stabilizer



Mammoth Stemlock



Mammoth Shock Sub



Mammoth Bottom Sub



Mammoth Top Sub



Mammoth Saver Sub

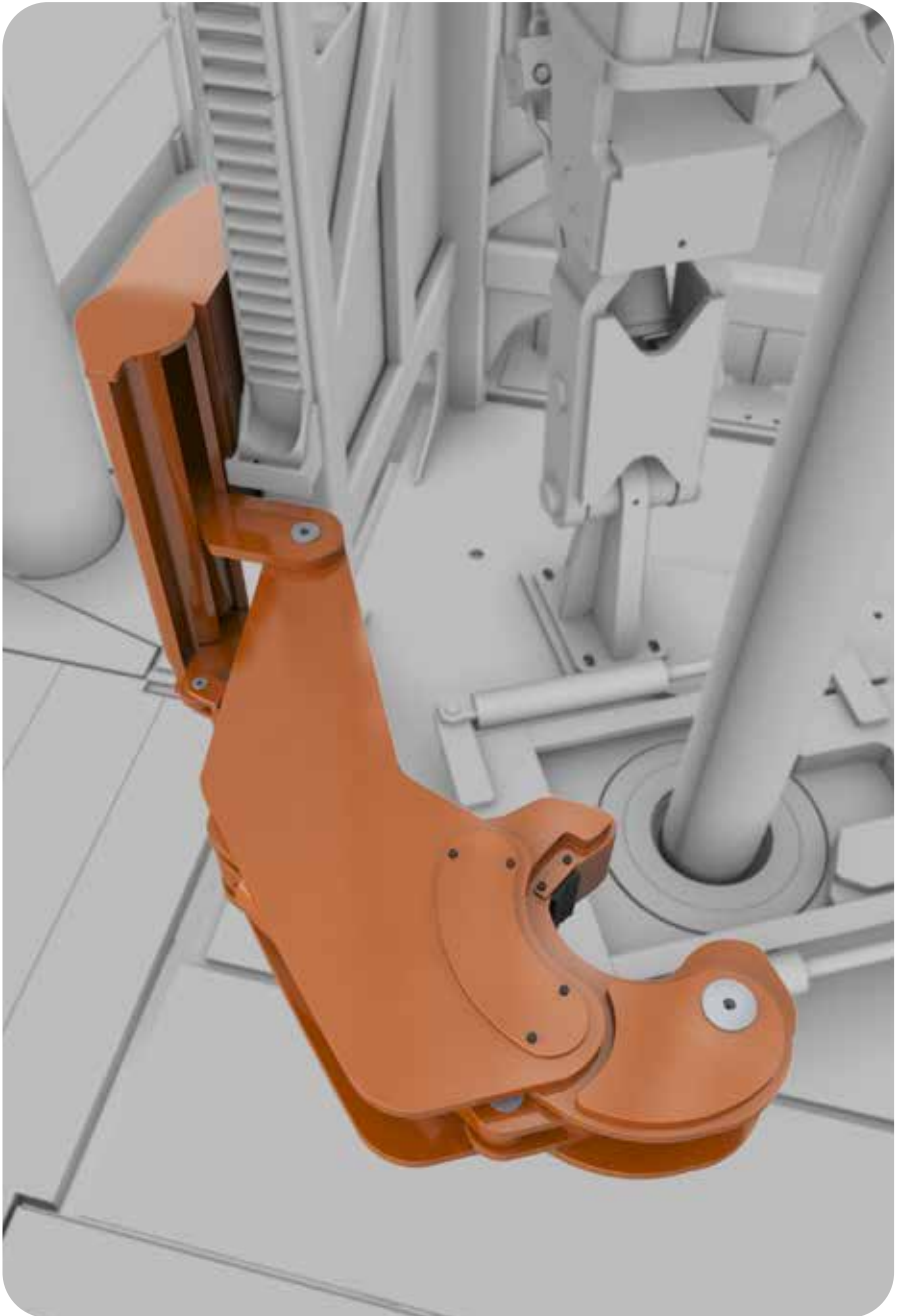


Mammoth
Breakout Wrench

www.mammothtech.co.za



Mammoth Breakout Wrench



Mammoth Breakout Wrench

Product Description

The Mammoth Breakout Wrench was developed to meet the requirements of a hands-free breakout wrench for all conditions and any OEM Drill Rig.

Mammoth Breakout Wrench is designed to address:

- Locked joints found in the drill stem
- Wrench-slip when loosening drill rods, hammers and bits
- The lack of compatible Cross-Platform Breakout Wrenches
- Unsafe breakout procedures

Benefits of the Mammoth Breakout Wrench

- SAFETY: Fully automated, hands-free operation
- SAFETY: Compliance with Mine SAFETY requirements for operators
- Versatile enough to adapt and fit the requirements of an OEM Drill Rig
- Electrical controls and hydraulics - integrated into the drill rig system
- The patented clamp action is slip-proof and fits any specific OD requirement
- The clamp action is unaffected by the rod wear within the design parameters
- Our patented moveable bracket allows the wrench to be set at any operating height
- It's mountable on a conveniently placed stand (stand-alone) or directly on the mast
- It can be adapted to suit the specific requirements of angle drilling
- Deck Bush wear does not affect the breakout action
- The torque can be increased for extreme conditions and requirements
- Can be bolt mounted on either side of the column mast
- Wrenches have been designed to handle drill rod ranges from 3" to 15"
- Fully repairable



Mammoth Breakout Wrench

Wrench Configuration Options

Complete Mammoth Breakout Wrench

- Complete, Fully Automated Mammoth Breakout Wrench
- Automated or Manually Bolt Adjustable Mounting Bracket
 - Stand-Alone Bracket
 - › Hydraulically Adjustable
 - › Manually Bolt Adjustable
 - Right Mast Mounted
 - › Hydraulically Adjustable
 - › Manually Bolt Adjustable
 - Left Mast Mounted
 - › Hydraulically Adjustable
 - › Manually Bolt Adjustable
- Full Hydraulic System
- Full Electrical System
- Jaws/Bits (First Set Only, Not Covered in Warranty)
- Installation Manual
- 12 Month Parts Replacement Warranty

Basic Mammoth Breakout Wrench (Optional)

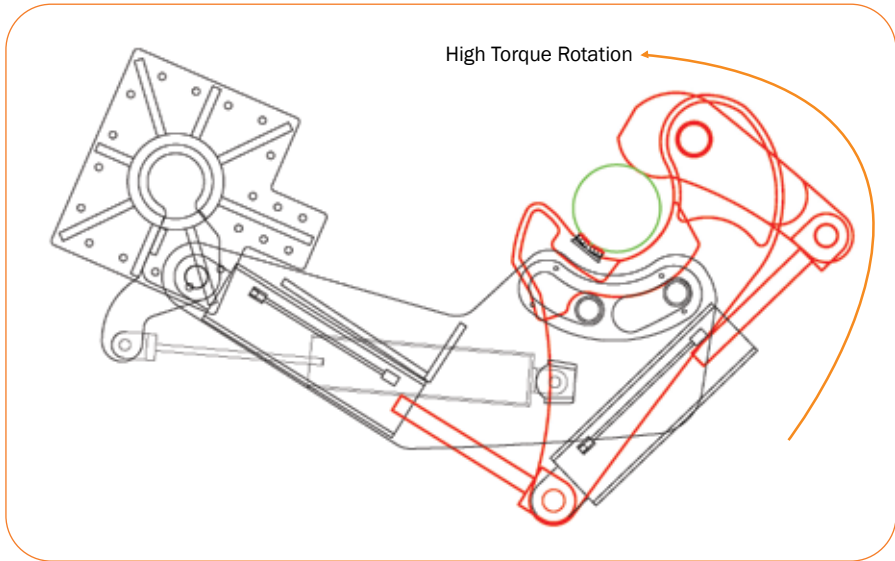
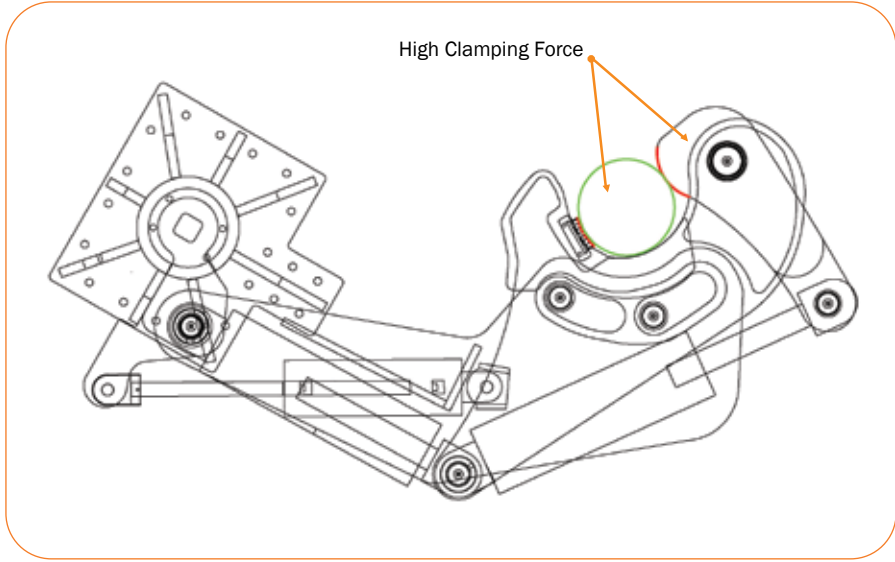
- Complete, Fully Automated Mammoth Breakout Wrench
- Manually Bolt Adjustable Mounting Bracket
 - Stand-Alone Bracket
 - › Manually Bolt Adjustable
 - Right Mast Mounted
 - › Manually Bolt Adjustable
 - Left Mast Mounted
 - › Manually Bolt Adjustable
- No Hydraulic System
- No Electrical System
- Jaws/Bits (First Set Only, Not Covered in Warranty)
- Installation Manual
- 12 Month Parts Replacement Warranty

Price Excludes

- Installation by Mammoth Technician
- Spare Parts
- Duties and Taxes
- Freight and Insurance

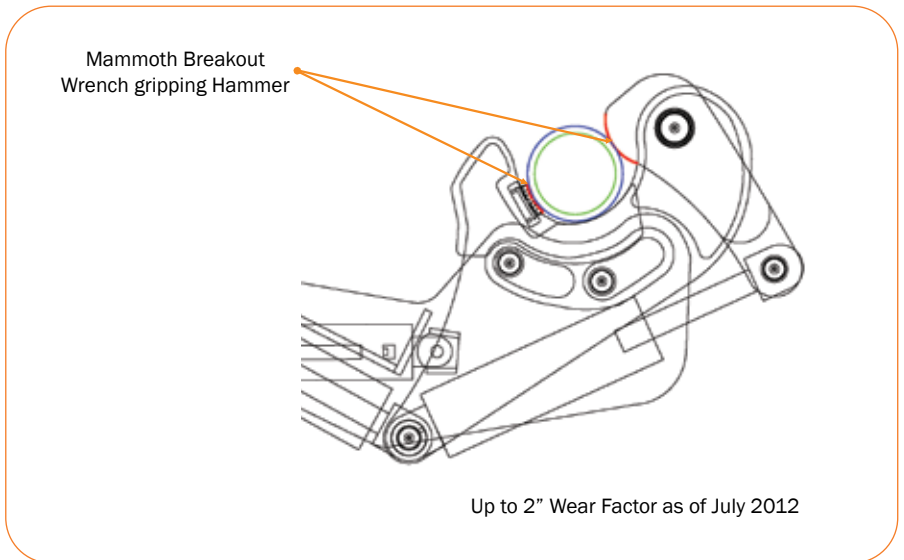
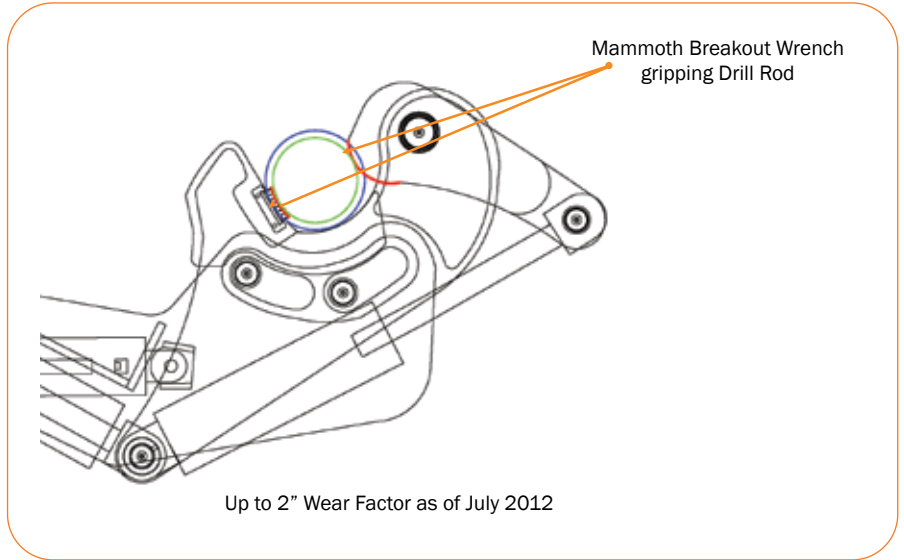
Mammoth Breakout Wrench

Product Benefits & Comparisons



Mammoth Breakout Wrench

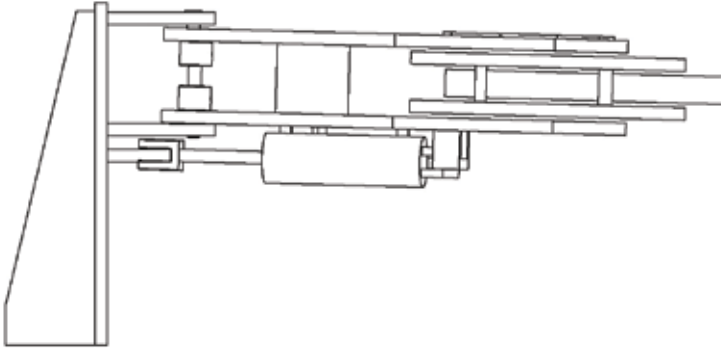
Product Benefits & Comparisons



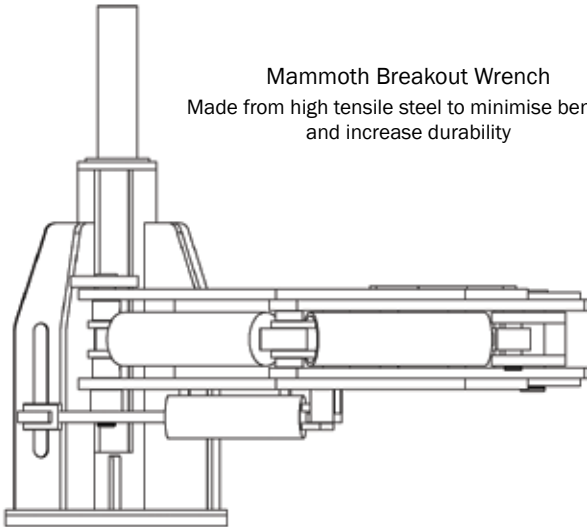
Mammoth Breakout Wrench

Product Benefits & Comparisons

Conventional Breakout Wrench
Mild Steel - Bends under strain



Mammoth Breakout Wrench
Made from high tensile steel to minimise bending
and increase durability

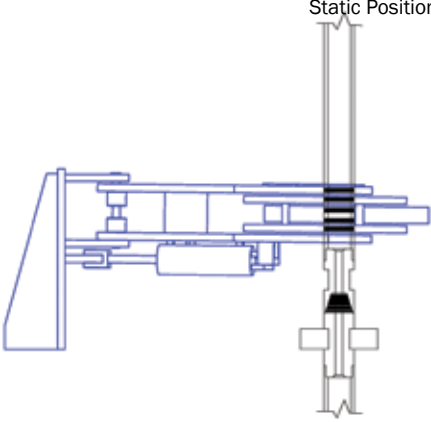


Mammoth Breakout Wrench

Product Benefits & Comparisons

Conventional Breakout Wrench

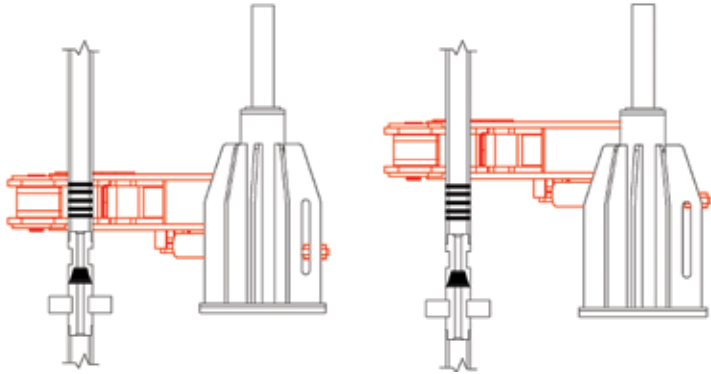
Static Position



Restricted to one height only
Lacks versatility

Mammoth Breakout Wrench

Adjustable mounting bracket to grip the drill string above the flats and hard facing



<p>Grip on Hard Facing Not recommended Reduces lifespan of Jaws/Bits Breakout Action Not Reliable</p>	<p>Grip above Hard Facing Recommended Extends lifespan of Jaws/Bits Breakout Action Accomplished</p>
---	--

Mammoth Breakout Wrench

The Mammoth Breakout Wrench manufactured to fit:

EPIROC				
DM25	DM45E	DMG	DMH	PV235
DM25SP	DM45-EMD6	DML	DMH100	PV270
DM30	DM45HP	DML-60	DMH-D	PV270SP
DM35	DM45SP	DML-HP	DMM3	PV271
DM40	DM50K	DML-LP	DM70	PV271SP
DM40SP	DM50	DML-SP	DM70E	PV275
DM45	DM50E	DML-XL	DMM	PV351
DM45/HP	DM50XL	T4BH	DMM2	PV351E
C14	DM60		DMM25SPH	

SANDVIK				
C40K	D45K	D25KS	D90KS	1190E
C60K	D45KS	D245KS	D90K-SP	1190DSP
C75K	D50K	D75K	D90KS-SP	DKII
C55SP	D50KS	D75KS	D55SP	DR460
D40K	D60K	D80K	D55SPH	D60KL
D40KS	D60KS	D90K	D75KL	T60K
			D75EX	T60KS

JOY GLOBAL (P&H)				
70HA	100B	GD70	250XP-DL	250XPC
100A	100XP	GD70H	250XP-ST	320XPC
120A		GD100		

GARDNER DENVER					
GD45	GD60	GD80	GD120	GD130	

Mammoth Breakout Wrench

The Mammoth Breakout Wrench manufactured to fit:

CATERPILLAR (Bucyrus, Reedriill, Marion, Terex)					
33HR	49HR	MII	SK25	SK60II	SKS
33HR-SP	49R	M2	SK30I	SK70	SKS-12
35HR	49RH	M3	SK35	SK70E	SKS-15
35R	49RII	M3B	SK40	SK75	SKS-16
35RII	49RIII	M4	SK40/50	SKF	SKS-W
37HR	50R	M5	SK45I	SKF-11	SKSS
39HR	55R	MD6240	SK50	SKF-11.5	SKSS-12
39R	59HR	MD6290	SK50I	SKF-12	SKSS-13
40R	59R	MD6420	SK50T	SKF-15	SKSS-15
45R	60R	MD6540	SK60		SKSS-16
47R	60RII	MD6640	SK60E		SKT
	60RIV	MD6750	SK60I		SKTT
	61R				
	67R				

OZM					
SBSH-250	SBSH-270				

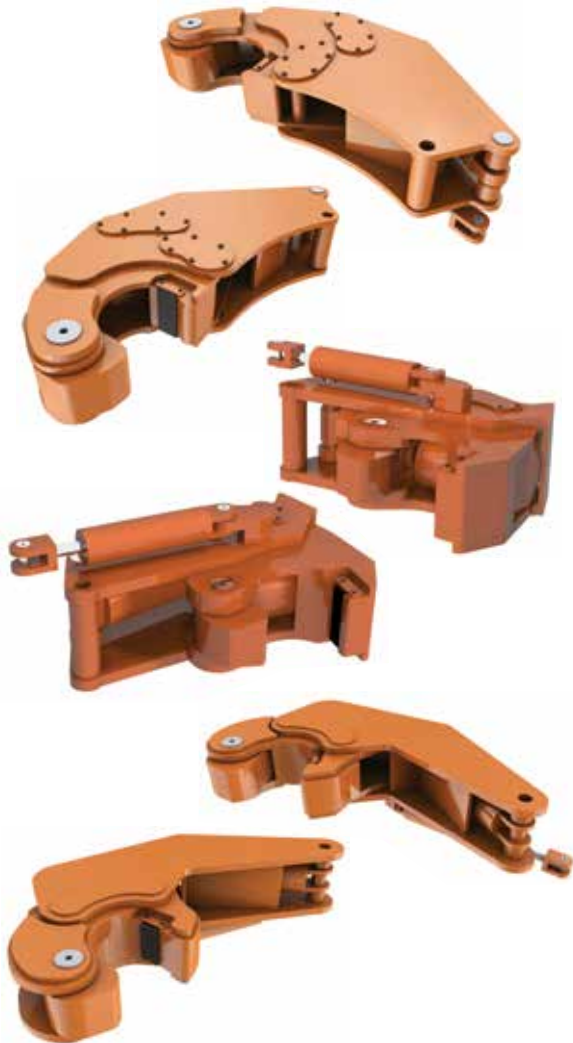
RUDGORMASH					
SBSH250 MNA32					

ROBBINS					
RR10	RR10HD	RR11E	RR12E		


Mammoth Breakout Wrench

Product Configurations - Wrench types available in:

Unit Sizes
4"
4 ½"
5"
5 ¼"
5 ½"
6"
6 ¾"
6 ½"
7"
7 ½"
7 ⅝"
8"
8 ½"
8 ⅝"
9"
9 ¼"
9 ½"
10"
10 ½"
10 ¾"
11"
11 ½"
11 ¾"
12 ¼"
12 ½"
12 ¾"
13 ⅜"



THE MARKETING TEAM

marketing@mammothtech.co.za | www.mammothtech.co.za |  mammothdrilltoolssa

Terms & Conditions Apply © Copyright Mammoth Technologies 2019

Mammoth Breakout Wrench

Product Configurations - Wrench types available in:



Unit Sizes
4"
4 1/2"
5"
5 1/4"
5 1/2"
6"
6 3/8"
6 1/2"
7"
7 1/2"
7 5/8"
8"
8 1/2"
8 5/8"
9"
9 1/4"
9 1/2"
10"
10 1/2"
10 3/4"
11"
11 1/2"
11 3/4"
12 1/4"
12 1/2"
12 3/4"
13 3/8"

Mammoth Breakout Wrench

Product Configurations - Mounting Brackets

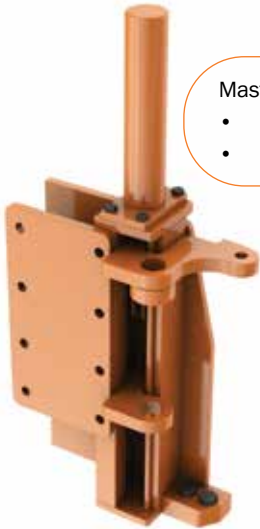
Mast Mounted Adjustable Bracket

- Automated Hydraulic Adjustable Bracket
- Right Mounted



Mast Mounted Adjustable Bracket

- Automated Hydraulic Adjustable Bracket
- Right Mounted



Mast Mounted Adjustable Bracket

- Automated Hydraulic Adjustable Bracket
- Right Mounted



Mammoth Breakout Wrench

Product Configurations - Mounting Brackets



Stand Alone Fixed Bracket

- Manually Bolted Adjustable Bracket
- Left Mounted

Stand Alone Adjustable Bracket

- Automated Hydraulic Adjustable Bracket
- Left Mounted



Stand Alone Adjustable Bracket

- Automated Hydraulic Adjustable Bracket
- Left Mounted



Stand Alone Adjustable Bracket

- Automated Hydraulic Adjustable Bracket
- Right Mounted



Mammoth Breakout Wrench

Product Configurations - Mounting Brackets

Mast Mounted Adjustable Bracket

- Automated Hydraulic Adjustable
- Left Mounted



Mast Mounted Adjustable Bracket

- Automated Hydraulic Adjustable
- Left Mounted



Mast Mounted Fixed Bracket

- Manually Bolted Adjustable Bracket
- Left Mounted



Mammoth Breakout Wrench

The Mammoth Breakout Wrench Series



The Mammoth Breakout Wrench fitted to a DMM2 / CDM 75 Rig



The Mammoth Breakout Wrench fitted to a DM3011/ CDM30 Rig

Mammoth Breakout Wrench

The Mammoth Breakout Wrench Series

The Mammoth Breakout Wrench fitted to a PV351 Rig



The Mammoth Breakout Wrench fitted to a BE49R Rig



THE MARKETING TEAM

marketing@mammothtech.co.za | www.mammothtech.co.za |  mammothdrilltoolssa

Terms & Conditions Apply © Copyright Mammoth Technologies 2019

Mammoth Breakout Wrench

The Mammoth Breakout Wrench fitted to a PV271 / PV275




Mammoth Breakout Wrench

The Mammoth Breakout Wrench Series



The Mammoth Breakout Wrench fitted to a T4BH Rig

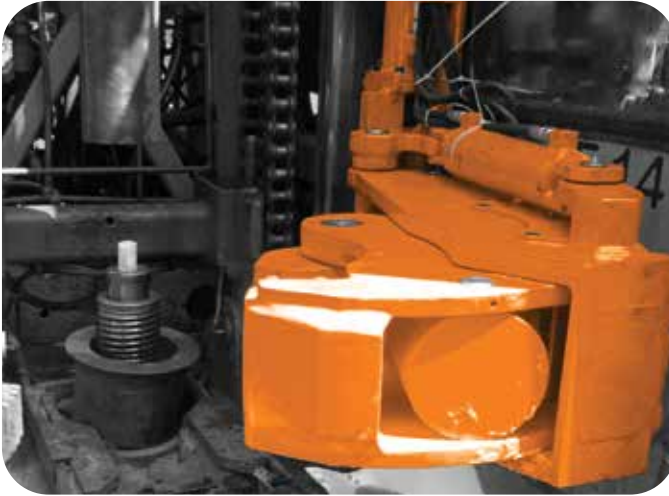
THE MARKETING TEAM

marketing@mammothtech.co.za | www.mammothtech.co.za |  mammothdrilltoolssa

Terms & Conditions Apply © Copyright Mammoth Technologies 2019

Mammoth Breakout Wrench

The Mammoth Breakout Wrench Series (T4BH Rig)



The Mammoth Breakout Wrench in Parked Position

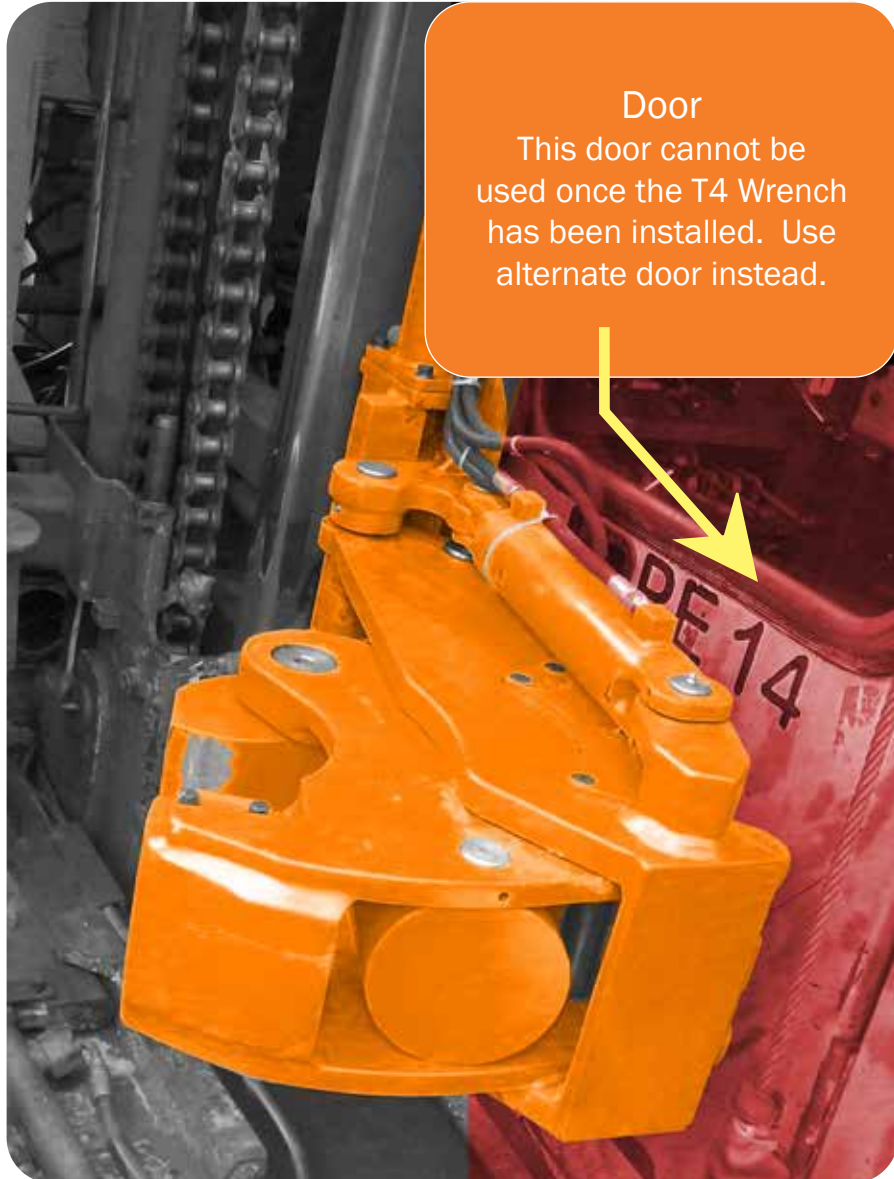
(T4BH Rig)




The Mammoth Breakout Wrench in Engaged Position

Mammoth Breakout Wrench

T4BH Rig



THE MARKETING TEAM

marketing@mammothtech.co.za | www.mammothtech.co.za |  mammothdrilltoolssa
Terms & Conditions Apply © Copyright Mammoth Technologies 2019

Mammoth Breakout Wrench

Technical Specifications

Range One Technical Specifications	MAMMOTH TECHNOLOGIES All designs, specifications and components of the equipment described herein are subject to change at the manufacturer's discretion at any time without prior notice.
Wrench Type	Fully-automated wrench or fully-automated basic wrench
Clamp Type	Slide Clamp or Cam Clamp
Pressure Requirements	2,500 PSI
Breakout Torque	80,120 N.M 59,09 FT/LB
Range	4" up to 9"
Bracket Mounting	Fully-Automated Breakout Wrench Automated Hydraulic Adjustable Bracket Fully-Automated Breakout Wrench Manually Bolted Adjustable Bracket Fully-Automated Basic Breakout Wrench Automated Hydraulic Adjustable Bracket Fully-Automated Basic Breakout Wrench Manually Bolted Adjustable Bracket
Adjustable Bracket Travel	250mm (Standard)
Jaw/Bit Type	Tungsten Carbide Hardened Steel Alloy (Standard)

The Mammoth Breakout Wrench can be designed to fit any OEM machine application.

The Mammoth Breakout Wrench is not limited to any specific range only.

It is recommended that only genuine OEM spare parts and consumables are used on the Mammoth product range, to ensure full performance and operational stability. Utilising unauthorised spare parts and consumables can result in injury and potentially void warranty claims.

Enquire for Rigs not displayed here.

Technical Specifications

Range Two Technical Specifications	MAMMOTH TECHNOLOGIES All designs, specifications and components of the equipment described herein are subject to change at the manufacturer's discretion at any time without prior notice.
Wrench Type	Fully-automated wrench or fully-automated basic wrench
Clamp Type	Slide Clamp or Cam Clamp
Pressure Requirements	2,500 PSI
Breakout Torque	66,200 N.M 48,82 FT/LB
Range	4" up to 9"
Bracket Mounting	Fully-Automated Breakout Wrench Automated Hydraulic Adjustable Bracket Fully-Automated Breakout Wrench Manually Bolted Adjustable Bracket Fully-Automated Basic Breakout Wrench Automated Hydraulic Adjustable Bracket Fully-Automated Basic Breakout Wrench Manually Bolted Adjustable Bracket
Adjustable Bracket Travel	300mm (Standard)
Jaw/Bit Type	Tungsten Carbide Hardened Steel Alloy (Standard)

The Mammoth Breakout Wrench can be designed to fit any OEM machine application.

The Mammoth Breakout Wrench is not limited to any specific range only.

It is recommended that only genuine OEM spare parts and consumables are used on the Mammoth product range, to ensure full performance and operational stability. Utilising unauthorised spare parts and consumables can result in injury and potentially void warranty claims.

Enquire for Rigs not displayed here.

Mammoth Breakout Wrench

Technical Specifications

Range Three Technical Specifications	MAMMOTH TECHNOLOGIES All designs, specifications and components of the equipment described herein are subject to change at the manufacturer's discretion at any time without prior notice.
Wrench Type	Fully-automated wrench or fully-automated basic wrench
Clamp Type	Slide Clamp or Cam Clamp
Pressure Requirements	2,500 PSI
Breakout Torque	70,131 N.M 51,72 FT/LB
Range	4" up to 9"
Bracket Mounting	Fully-Automated Breakout Wrench Automated Hydraulic Adjustable Bracket Fully-Automated Breakout Wrench Manually Bolted Adjustable Bracket Fully-Automated Basic Breakout Wrench Automated Hydraulic Adjustable Bracket Fully-Automated Basic Breakout Wrench Manually Bolted Adjustable Bracket
Adjustable Bracket Travel	300mm (Standard)
Jaw/Bit Type	Tungsten Carbide Hardened Steel Alloy (Standard)

The Mammoth Breakout Wrench can be designed to fit any OEM machine application.

The Mammoth Breakout Wrench is not limited to any specific range only.

It is recommended that only genuine OEM spare parts and consumables are used on the Mammoth product range, to ensure full performance and operational stability. Utilising unauthorised spare parts and consumables can result in injury and potentially void warranty claims.

Enquire for Rigs not displayed here.

Technical Specifications

Range Four Technical Specifications	MAMMOTH TECHNOLOGIES All designs, specifications and components of the equipment described herein are subject to change at the manufacturer's discretion at any time without prior notice.
Wrench Type	Fully-automated wrench or fully-automated basic wrench
Clamp Type	Slide Clamp or Cam Clamp
Pressure Requirements	2,500 PSI
Breakout Torque	157,000 N.M 115,78 FT/LB
Range	6" up to 12"
Bracket Mounting	Fully-Automated Breakout Wrench Automated Hydraulic Adjustable Bracket Fully-Automated Breakout Wrench Manually Bolted Adjustable Bracket Fully-Automated Basic Breakout Wrench Automated Hydraulic Adjustable Bracket Fully-Automated Basic Breakout Wrench Manually Bolted Adjustable Bracket
Adjustable Bracket Travel	300mm (Standard)
Jaw/Bit Type	Tungsten Carbide Hardened Steel Alloy (Standard)

The Mammoth Breakout Wrench can be designed to fit any OEM machine application.

The Mammoth Breakout Wrench is not limited to any specific range only.

It is recommended that only genuine OEM spare parts and consumables are used on the Mammoth product range, to ensure full performance and operational stability. Utilising unauthorised spare parts and consumables can result in injury and potentially void warranty claims.

Enquire for Rigs not displayed here.

Mammoth Breakout Wrench

Technical Specifications - Bit Configuration

Raised Tungsten Bit

TI25 / 9.5B

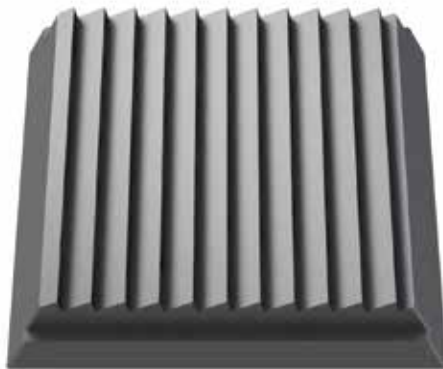


Tungsten Inserted Jaws/Bits
Used for:

- Hardened Casing Hammers
- Alloy Steel Pipes

Normal Bit

B21L / B21R



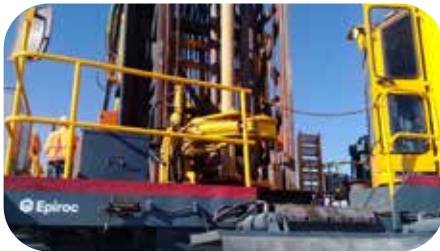
Hardened Alloy Steel Jaws/Bits

Used for:


- Normal Steel Pipes (ST80)
- Alloy Steel Pipes

Mammoth Breakout Wrench

The Mammoth Breakout Wrench works with the Flanders Automation System



THE MARKETING TEAM

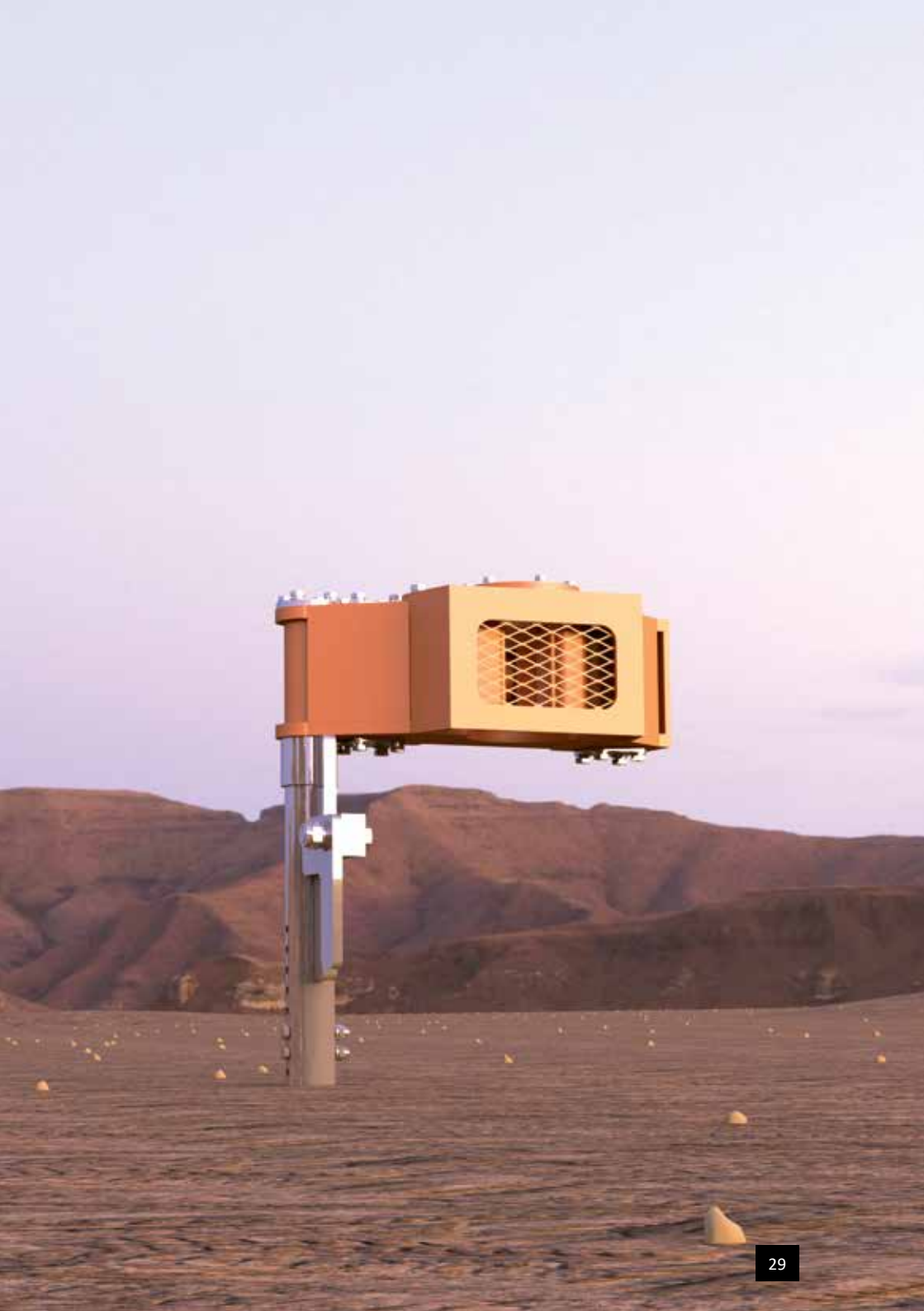
marketing@mammothtech.co.za | www.mammothtech.co.za |  mammothdrilltoolssa

Terms & Conditions Apply © Copyright Mammoth Technologies 2019



Mammoth *Clamp Wrench*

www.mammothtech.co.za



Mammoth Clamp Wrench

Product Description:

The Mammoth C 14 Clamp Wrench with enhanced safety features is a well-designed, robust and compact unit for the break-out of drill rods/pipes. This uniquely designed wrench excels when it comes to providing a solution that can assist with faster and more sufficient breakouts.

Technical Specifications - Mammoth Clamp Wrench

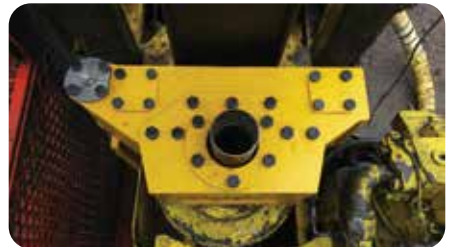
Technical Specifications	All designs, specifications and components of the equipment described herein are subject to change at the manufacturer's discretion at any time without prior notice.
Wrench Type:	Clamp Wrench
Clamp Type:	Slide Clamp
Pressure Requirements:	2500 Psi
Range:	2"-3.5"
Bracket Mounting:	Floating Pivot Bracket
Bracket Travel:	70mm
Wrench Pivot (Rotation):	70 Degrees
Jaws:	Bits Hardened Steel Alloy

The Mammoth Clamp Wrench can be designed to fit any OEM machine application. The Mammoth Clamp Wrench is not limited to any specific range only.

It is recommended that only genuine OEM spare parts and consumables are used on the Mammoth product range, to ensure full performance and operational stability. Utilising unauthorised spare parts and consumables can result in injury and potentially void warranty claims.

Enquire for Rigs not displayed here.

The Mammoth Clamp Wrench fitted to an Epiroc C14



Mammoth Clamp Wrench



THE MARKETING TEAM

marketing@mammothtech.co.za | www.mammothtech.co.za |  mammothdrilltoolssa

Terms & Conditions Apply © Copyright Mammoth Technologies 2019



Mammoth Mast

www.mammothtech.co.za



Mammoth Mast

Product Description

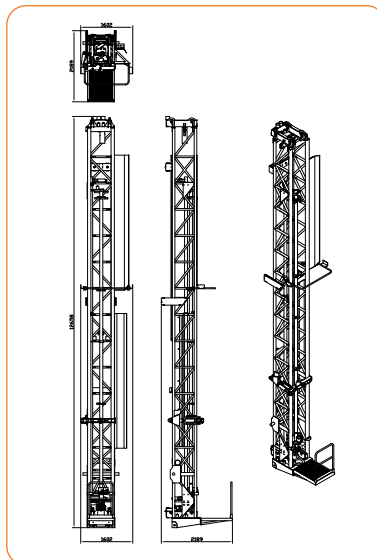
The Mammoth DM30 Mast has been designed and engineered with several improvements, providing a higher level of durability and ease to service.

DM30 Mast Technical Specifications

The Mammoth DM30 Mast is designed for multi-pass drilling, capable of holding a 30 ft (9.1m) drill pipe, a 2-rod carousel (optional 4-rod carousel), with a total depth capacity of 150 ft (45.7m). The DM30 Mast comes standard with a safety Rod Catcher.

Additional Extras:	2-Rod Carousel/4-Rod Carousel DM30 Stemlock DM30 Top Rod Support DM30 Rod Guide
Technical Data:	
Drilling Method:	Rotary or DTH – Multi Pass
Suitable Pipe Sizes:	4 ½" - 6 ¾" (114mm - 171mm)
Estimated Weight:	7055 Lb (3200kg)
Dimensions:	
Length:	7 ft 2.16 in (2.19m)
Height:	41 ft 6.4 in (12.66m)
Width:	5 ft 3 in (1.6m)

Please enquire for other drill rig mast models available.







Mammoth Crane

www.mammothtech.co.za



Mammoth Crane

Product Description

The Mammoth Crane is a lifting device designed to hoist drilling tools or components onto the drill rig. The device gets mounted on an opencast drill rig of any size and model.


The benefits of using the Mammoth Crane:

- SAFETY: Fully automated, hands-free operation.
- SAFETY: Compliance with mine safety requirements for operators.
- Versatile enough to customise, adapt and fit, most OEM drill rig models and customer-specific applications.
- Eliminates the necessity of manual labour used to pick up heavy components onto the rig.
- Decrease downtime on changing of drill tools or other components.
- Specialised lifting attachments for lifting drill bits, stabilizers, top and bottom subs, shock sub, Mammoth breakout wrench with the additional option of a lifting hook used for other applications.





THE MARKETING TEAM

marketing@mammothtech.co.za | www.mammothtech.co.za |  mammothdrilltoolssa

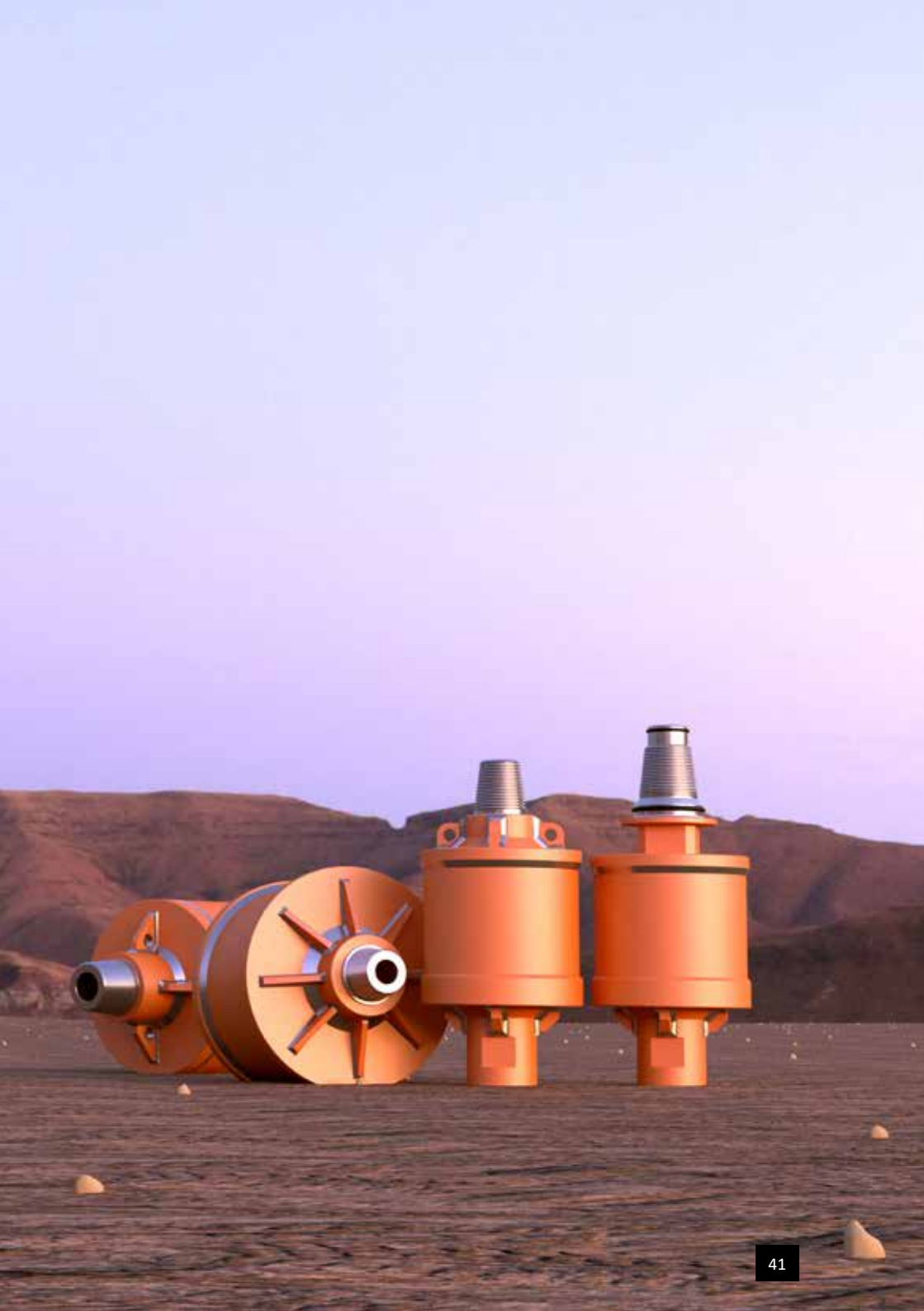
Terms & Conditions Apply © Copyright Mammoth Technologies 2019



Mammoth

Non-Repairable Shock Sub

www.mammothtech.co.za



Mammoth Shock Sub (Sealed)

Product Description

The Mammoth Non-Repairable Shock Sub is designed to reduce vibration and shock by absorbing these energies from being transferred to the powerhead during rotational pulldown and pullback operations.

Mammoth Non-Repairable Shock Subs are manufactured from superior quality materials and are subjected to specific heat treatment processes to maximize the lifespan of the tooling and increase drilling productivity.

The Mammoth Shock Sub is designed to address:

- Wear and tear on conventional shock sub systems
- Multidirectional absorbency limitations
- Inadequate seal characteristics
- Need for enhanced safety features

Drill Rig Benefits




- Reduces drill rig maintenance by dampening torsional and axial shock loads.
- Increases penetration rates by keeping the bit in more uniform contact with ore formation.
- Allows use of higher pull-down force and increased rotary speeds in demanding drilling areas
- Increases bit life by dampening repeated shock loads normally transmitted to the bit bearings and cutting structure
- Decreases noise levels by eliminating metal to metal contact between rotary drive and drill pipe
- Rotary and DTH compatible



Actual product may vary from images

Mammoth Shock Sub Technical Specifications

Technical Specifications

Mammoth aims to reduce the shock and vibration transmitted to the powerhead during normal drilling operational practices, with no maintenance required between service/repair intervals. Patent Pending		
10" Shock Sub	18" Shock Sub	28" Shock Sub
		

*The percentages and figures reflected are estimates based on testing of the product and are not guaranteed results. The percentages of improvement will vary depending on factors such as rock type, rock abrasiveness, groundwater and drilling parameters.

Technical Specifications - Standard Range

Specifications	MAMMOTH TECHNOLOGIES All designs, specifications and components of the equipment described herein are subject to change at the manufacturer's discretion at any time without prior notice.				
Model	Diameter Element	Shoulder to Shoulder Size (Standard)	Drill Pipe OD (For Guidance Only)	Pull Down Force (LBS)	Approx Weight
10	10	Per customer request	3½" - 7"	30 000 - 55 000	100
15	15"	Per customer request	4½" - 7½"	30 000 - 60 000	350
18	18"	per customer request	6" - 7⅝"	50 000 - 121 000	450
22	22"	per customer request	7⅝" - 8 ⅝"	50 000 - 121 000	700
24	24"	per customer request	7⅝" - 8 ⅝"	50 000 - 121 000	800
28	28"	per customer request	8 ⅝" - 10 ¾"	100 000 - 150 000	1050
34	34"	per customer request	8 ⅝" - 13⅜"	100 000 - 150 000	1500

All Mammoth Shock Subs are based on a standard shoulder to shoulder length. Mammoth Shock Subs are not restricted to standard shoulder to shoulder lengths, as we can customize the shoulder to shoulder dimension according to client specifications.

It is recommended that only genuine OEM spare parts and consumables are used on the Mammoth product range, to ensure full performance and operational stability. Utilising unauthorised spare parts and consumables can result in injury and potentially void warranty claims.

Enquire for Rigs not displayed here.

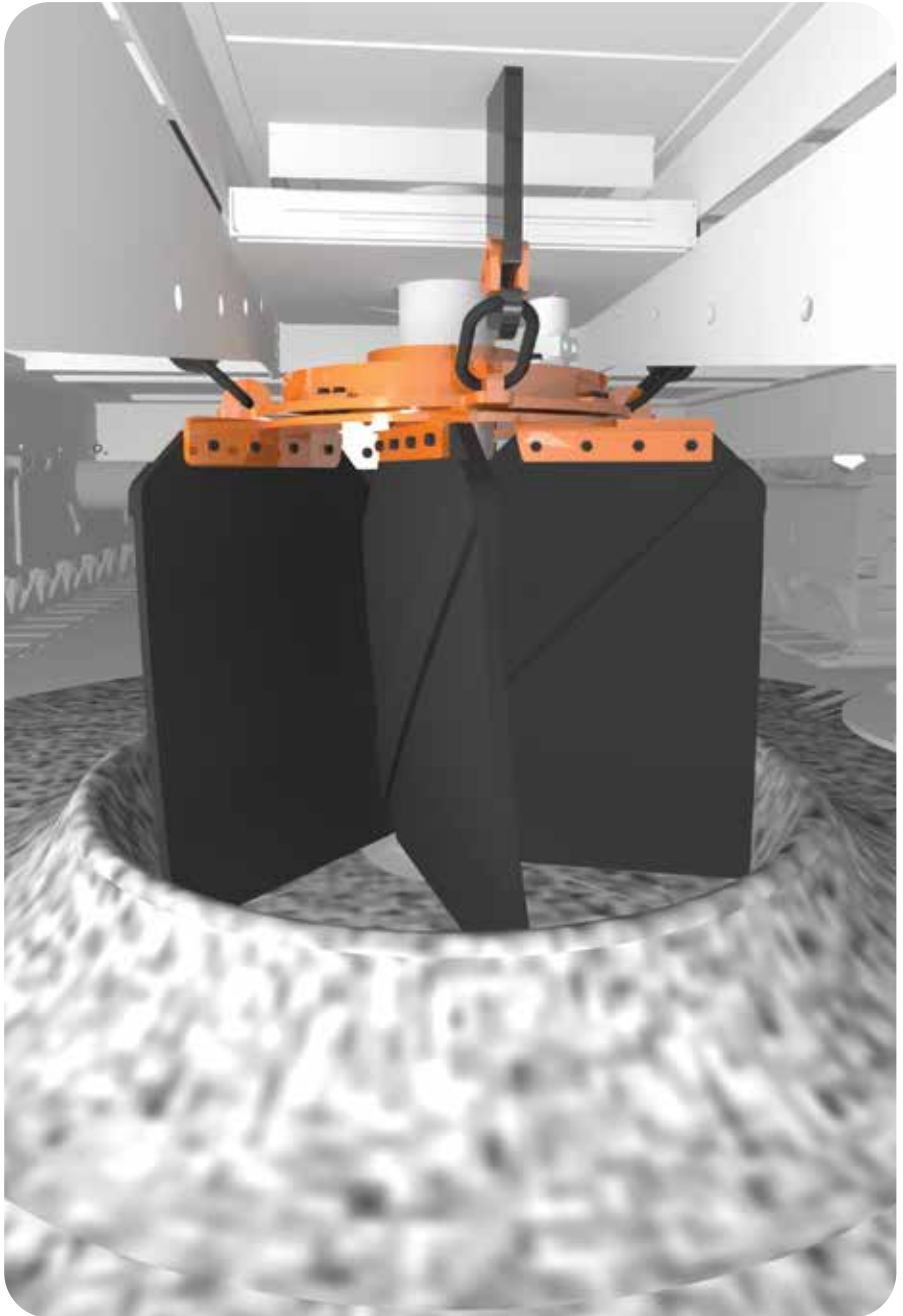


Mammoth *Hole Sweeper*

www.mammothtech.co.za



Mammoth Hole Sweeper



Mammoth Hole Sweeper

Product Description

The Mammoth Hole sweeper is a device fitted to the undercarriage of a drill rig with the function addressing chippings ejected from a blasthole and cleaning the collar of a blasthole with no manual labour.

The Mammoth Hole Sweeper is designed with rotating sweeping flaps to deflect chippings ejected from the blasthole - thus preventing them from accumulating around the collar of the hole.

The Mammoth Hole Sweeper is designed to address:

- Clogging below deck on the drill rig
- Chippings re-entering the blast hole
- Time lost due to slowed penetration rates
- Increased wear on the drill string
- Lock up of bits due to blocked holes

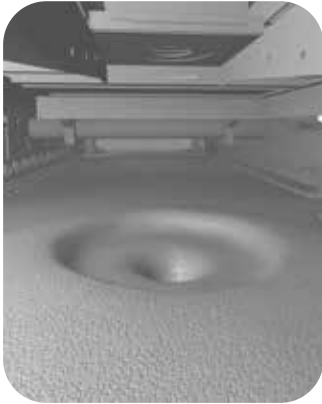
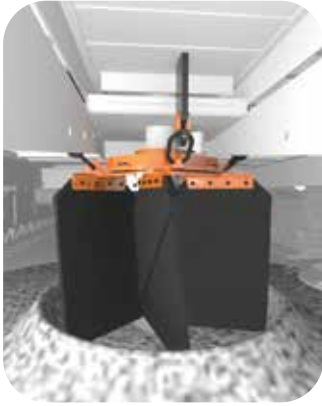
Benefits of the Mammoth Hole Sweeper

- Eliminates the necessity for manually cleaning the border of the holes
- Prevents chippings from piling up around the hole
- Increased penetration rates
- Increased bit life
- Increased drill steel life
- Increased life of the deckbush
- Decreased deck contamination

The Mammoth Hole Sweeper works with the Flanders Automation System



Mammoth Hole Sweeper



Hole Without Sweeper



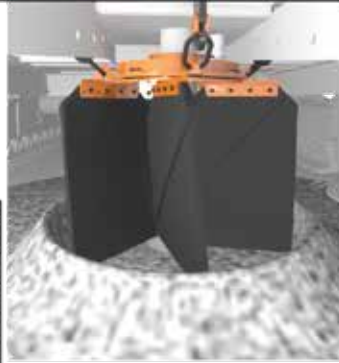
Hole With Sweeper



Pressure Requirements: 1500-2800 PSI
Range: 4.5" up to 15"
Rotation: Gear drive
Power: 2 x Hydraulic Motors

PERFORMANCE EVALUATION OF THE MAMMOTH HOLE SWEEPER

Here are some results of a test with the Hole Sweeper fitted to a PV351 Machine on a Platinum mine.



Pattern: 326-085

Rig	Holes	Penetration (m/h)
PV149	16	14.06
PV141	27	13.46
PV143 (Hole Sweeper fitted)	4	22.63
PV144	20	20.60
Total Average		16.28
Average		15.88
% improvement with sweeper		42.54

PV143 included in Average

PV143 not included

Pattern: 329-043

Rig	Holes	Penetration (m/h)
PV145	37	19.19
PV141	25	21.18
PV144	5	14.23
PV143 (Hole Sweeper fitted)	85	24.46
Total Average		22.32
Average		19.57
% improvement with sweeper		25.01

PV143 included in Average

PV143 not included

Pattern: 326-050

Rig	Holes	Penetration (m/h)
PV143 (Hole Sweeper fitted)	55	27.95
PV144	19	18.97
PV145	49	22.07
Total Average		23.49
Average		21.20
% improvement with sweeper		31.81

PV143 included in Average

PV143 not included

It is recommended that only genuine OEM spare parts and consumables are used on the Mammoth product range, to ensure full performance and operational stability. Utilising unauthorised spare parts and consumables can result in injury and potentially void warranty claims.

Enquire for Rigs not displayed here.

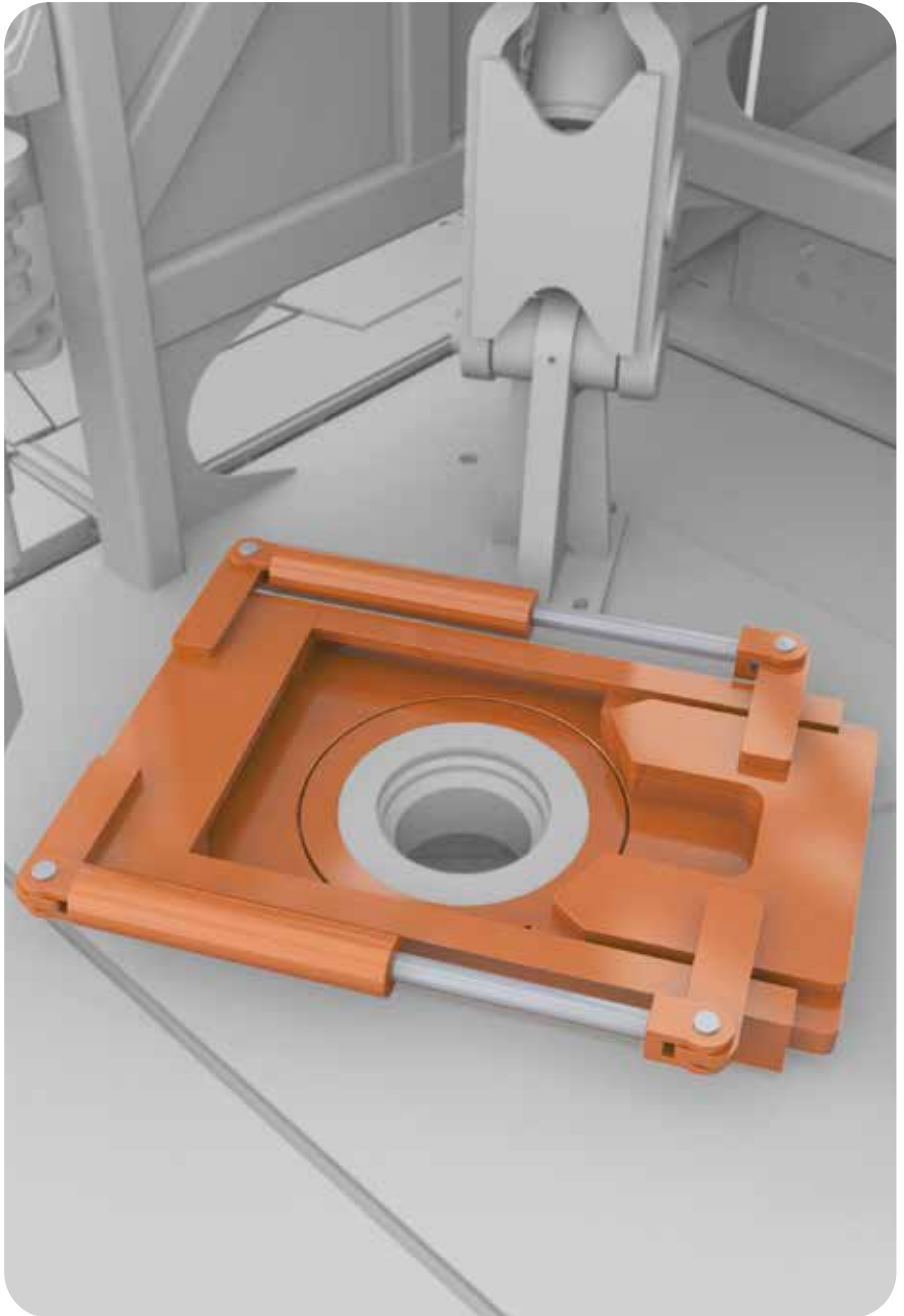


Mammoth Stemlock

www.mammothtech.co.za



Mammoth Stemlock



Product Description

The Mammoth Stemlock is designed and manufactured to secure the drill string securely, enabling the breakout of the drill rod and bit.

The Mammoth Stemlock can be manufactured to individual requirements and specifications.

Requirements from Customer

- Drill manufacturer
- Drill model
- Drill rod diameter
- Spanner-flat size

Benefits of the Mammoth Stemlock

- Quality manufacturing
- Durability for best performance
- Produced to our standard quality manufacturing procedures
- Fully repairable

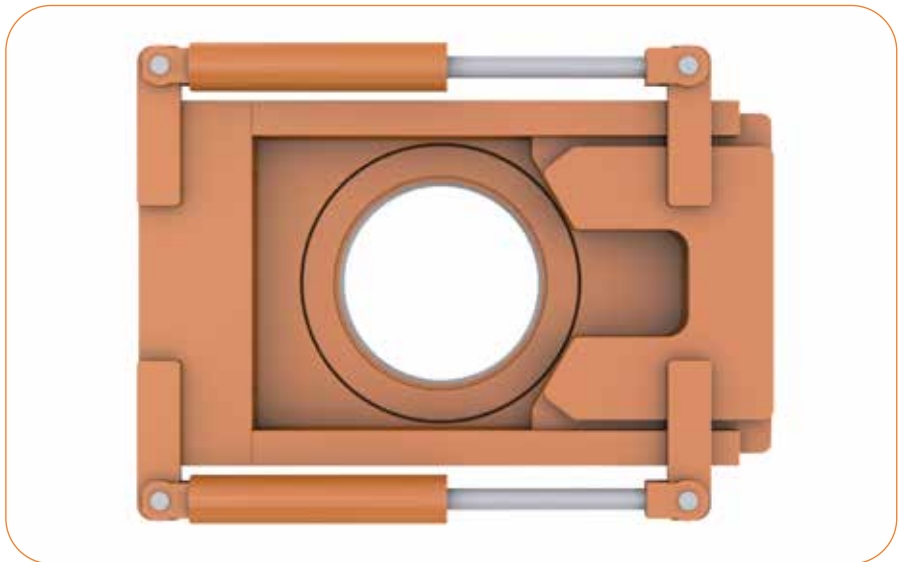
The Mammoth Stemlock works with the Flanders Automation System



Mammoth Stemlock

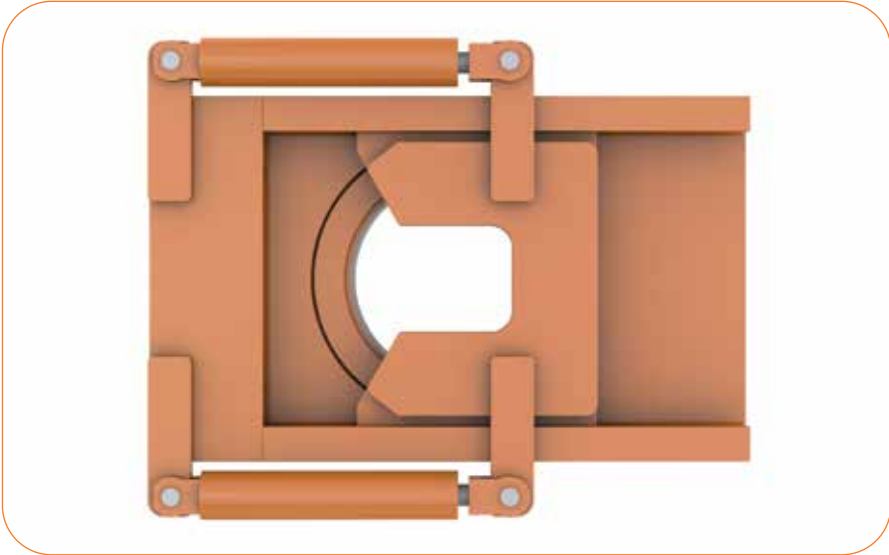
Technical Specifications

PV351 Stemlock in the Open Position



Technical Specifications

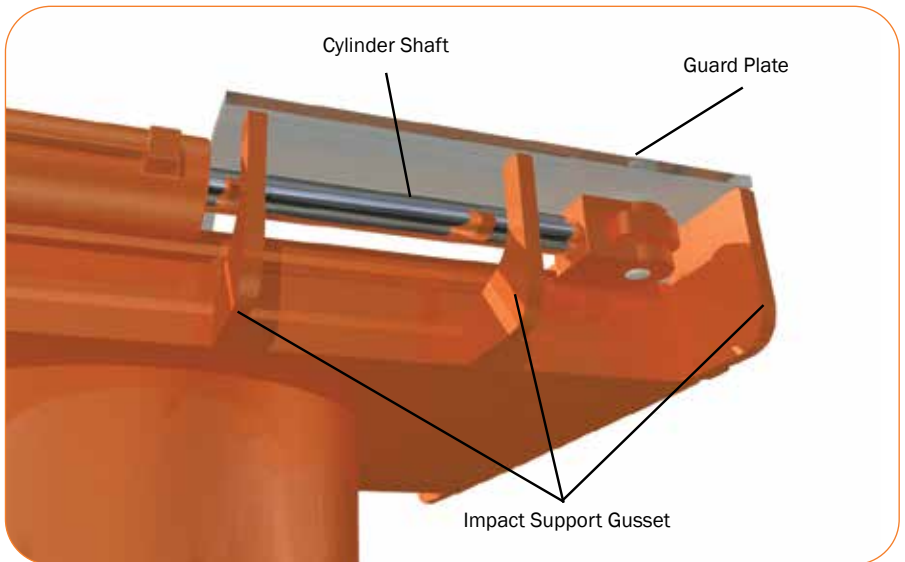
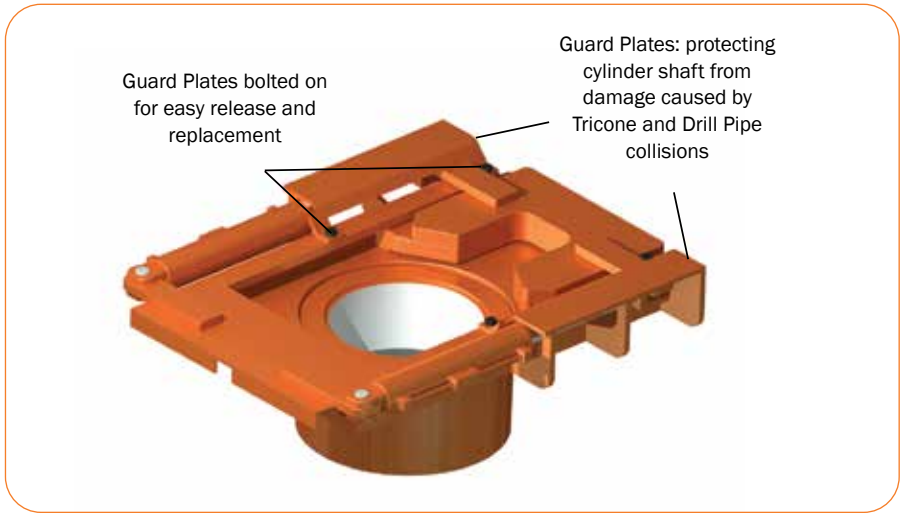
PV351 Type Stemlock in the Engaged Position



Mammoth Stemlock

Technical Specifications

PV351 Stemlock with Guard Plates in the Open Position



Mammoth Stemlock

The Mammoth Stemlock Operating Sequence



Stemlock Rest Position



Align Drill Rod Flats With Fork



Engage Stemlock



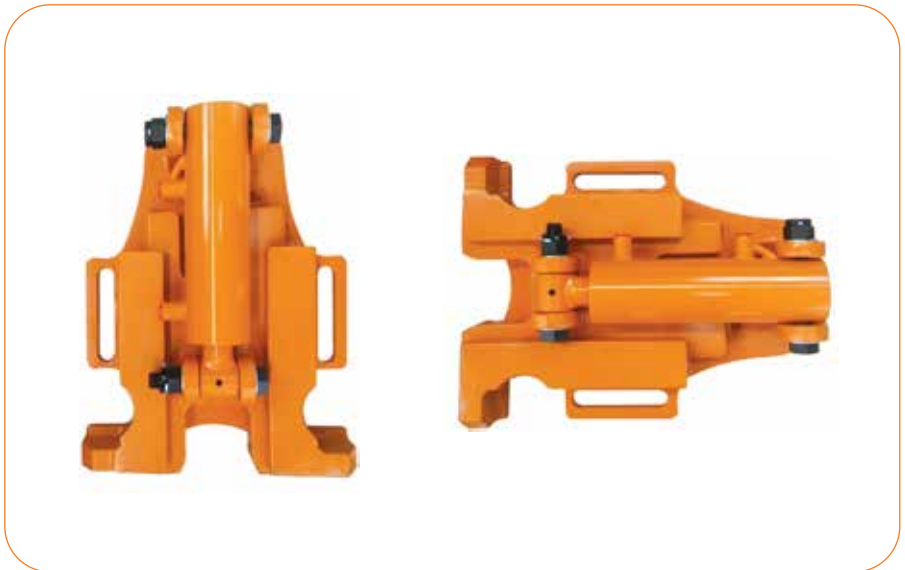
Rotate Drill Rod,
Separate Connection

Mammoth Stemlock

PV351 Type Stemlock



DM30 Type Stemlock



PV271 / PV275 Type Stemlock



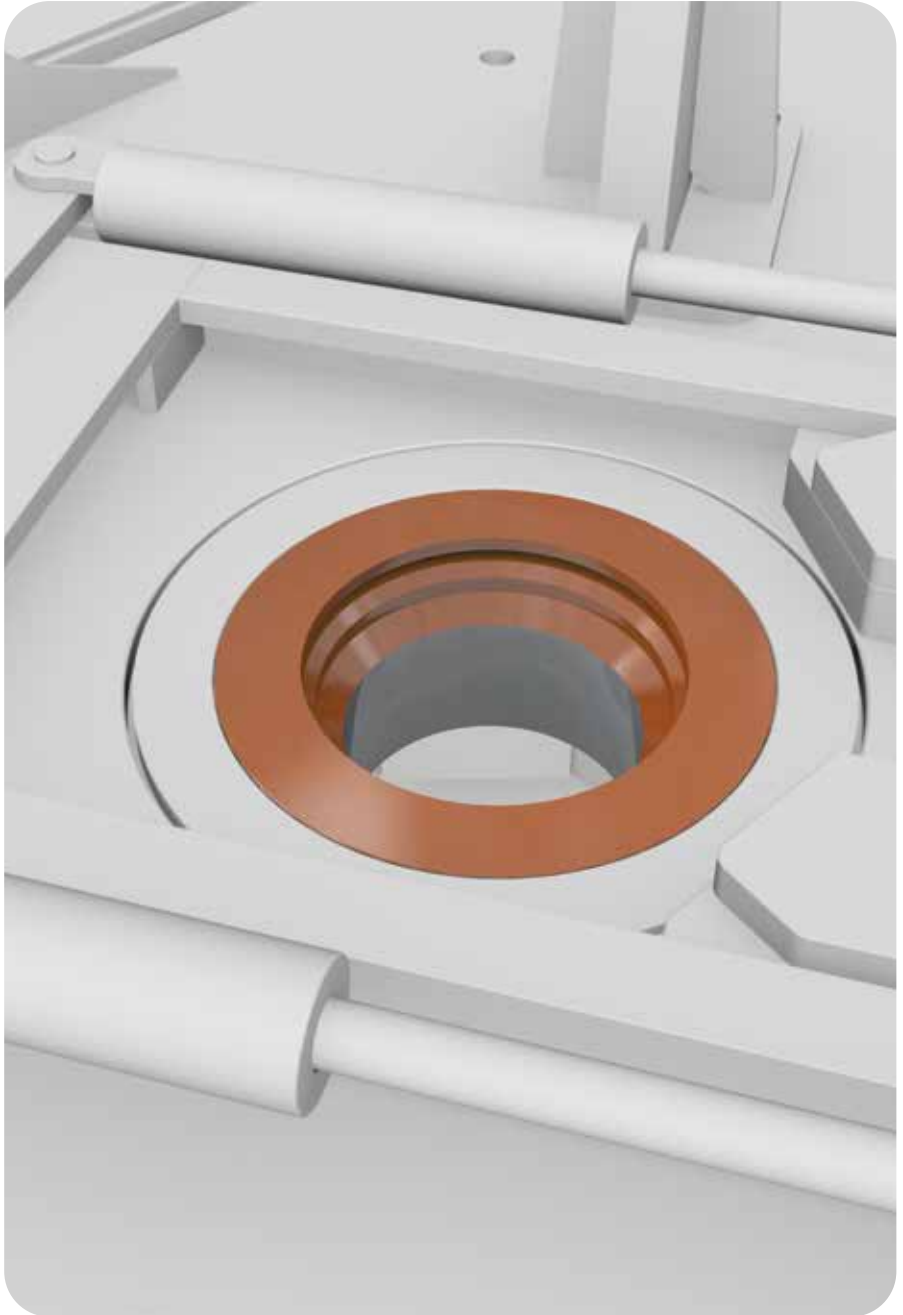


Mammoth Deckbush

www.mammothtech.co.za



Mammoth Deckbush



Product Description

The Mammoth Deckbush is used for the purpose of stabilizing the centre of the drill rod. The Mammoth Deckbush can be manufactured to individual requirements and specifications.

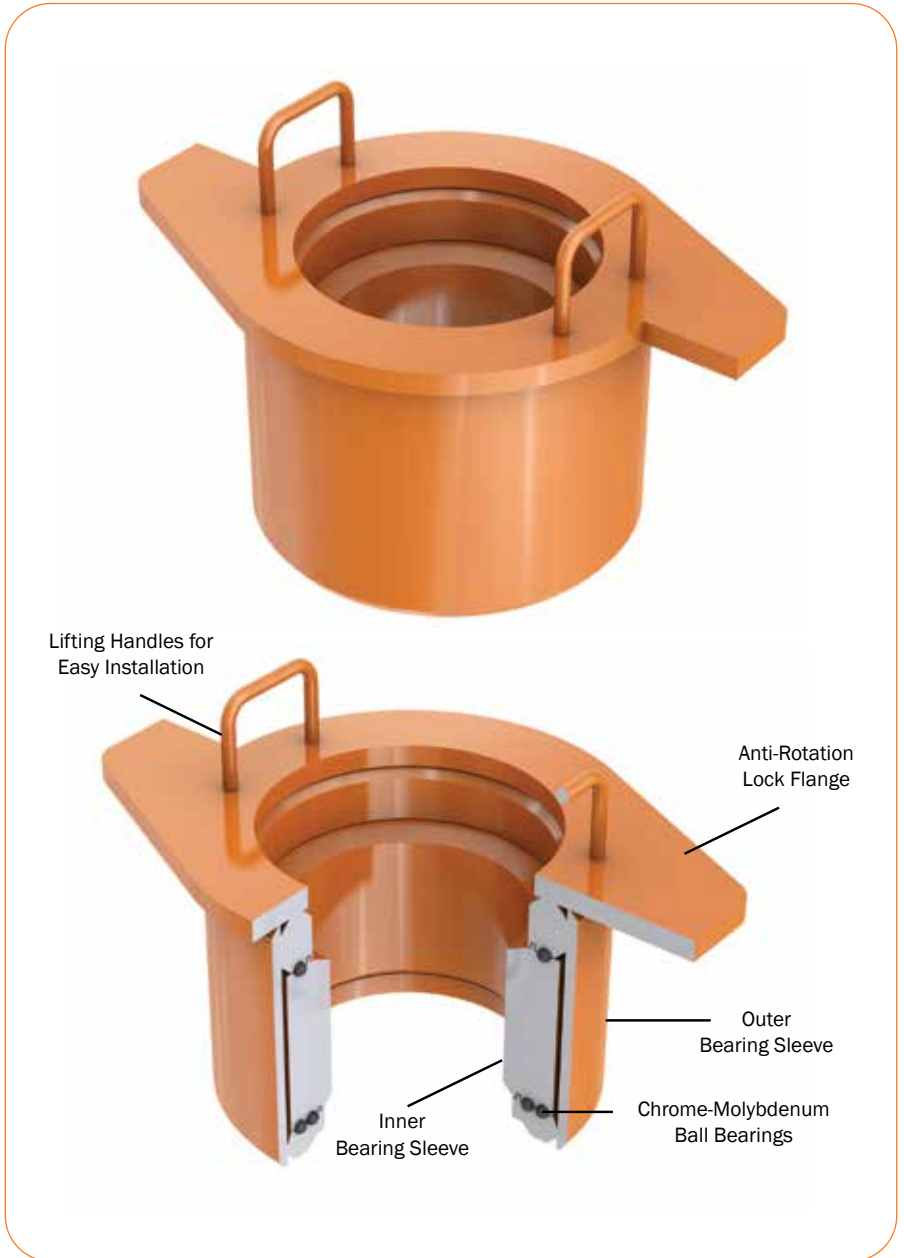
Benefits of the Mammoth Deckbush

- Quality manufacturing
- Durability for the best performance
- Produced to our standard quality manufacturing procedures

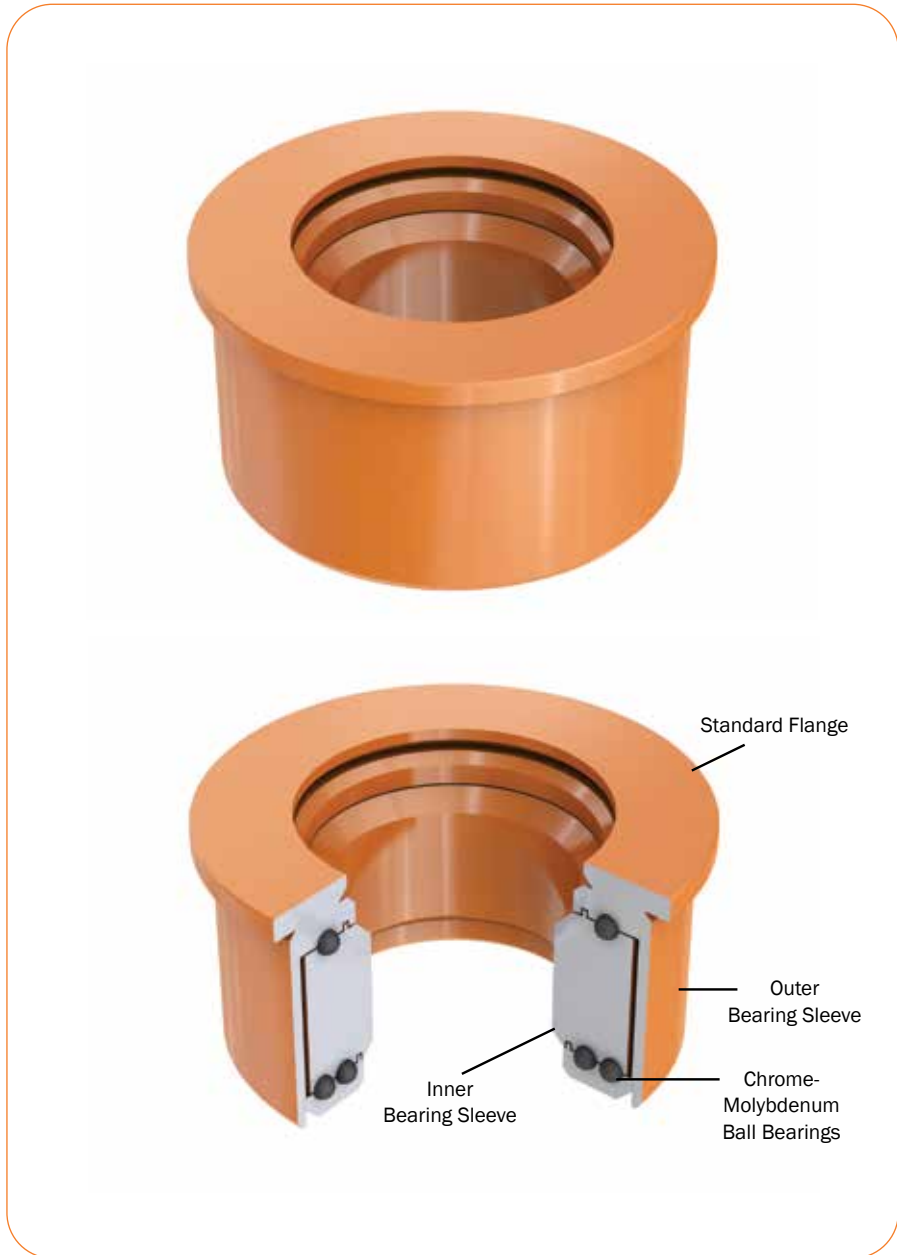


Mammoth Deckbush

Roller Deckbush

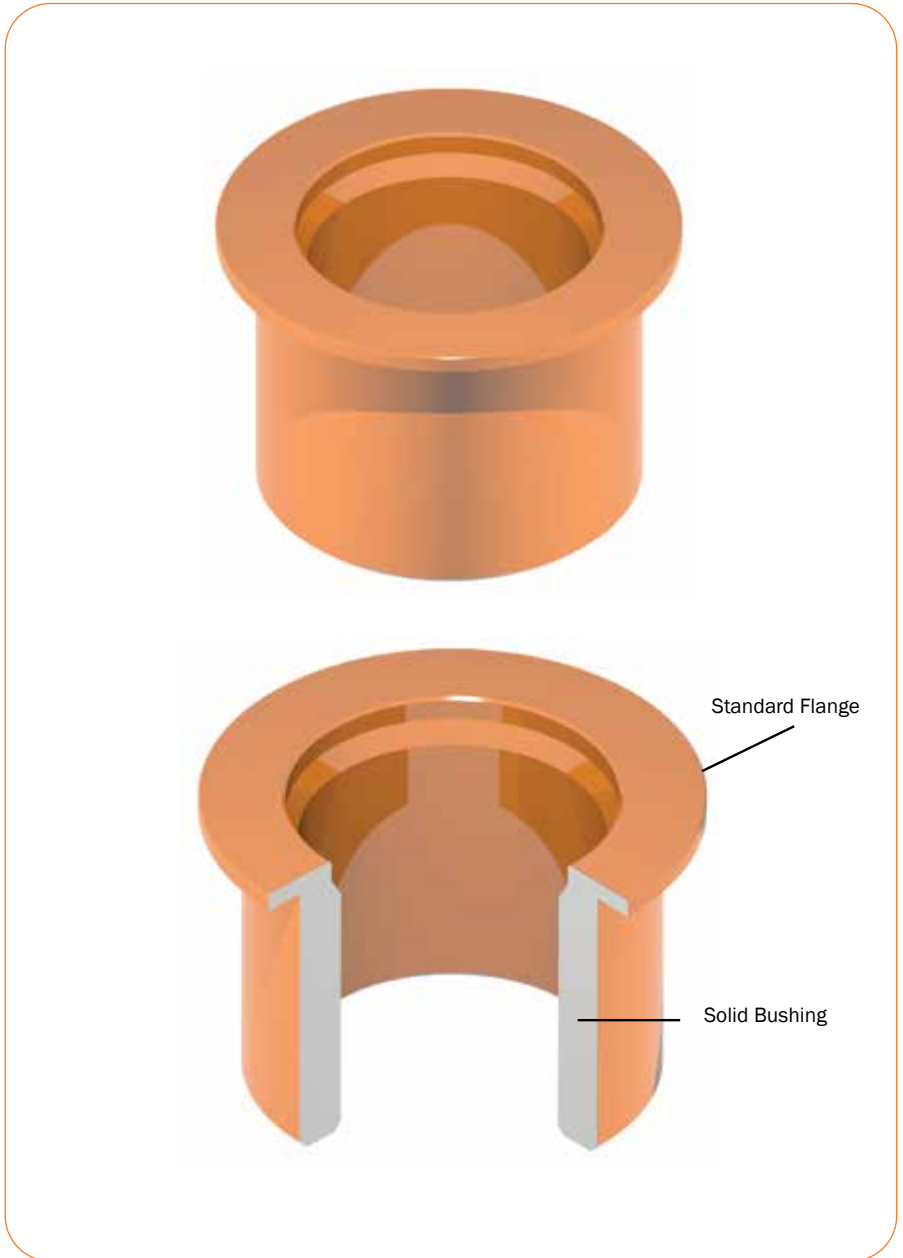


Roller Deckbush



Mammoth Deckbush

Static Deckbush



Specifications	<p>MAMMOTH TECHNOLOGIES</p> <p>All designs, specifications and components of the equipment described herein are subject to change at the manufacturer's discretion at any time without prior notice.</p>																																																																																														
Rotary Deckbush	2 or 3 Row, Solid Ball Races																																																																																														
<p>OEM Machines</p> <p>The Mammoth Deckbush can be designed to fit any OEM machine application.</p> <p>The Mammoth Deckbush is not limited to the specified range to the right.</p>	<table border="1" data-bbox="336 304 924 406"> <tr> <td colspan="7">Epiroc</td> </tr> <tr> <td>DM25</td> <td>DM30</td> <td>DM45</td> <td>DM50</td> <td>DML</td> <td>DMM2</td> <td>DMM3</td> </tr> <tr> <td>DMLSP</td> <td>PV271</td> <td>PV275</td> <td>PV351</td> <td>T4BH</td> <td></td> <td></td> </tr> </table> <table border="1" data-bbox="336 435 863 537"> <tr> <td colspan="7">Tamrock - Drilltech</td> </tr> <tr> <td>D25K</td> <td>D40K</td> <td>D45K</td> <td>D50K</td> <td>D55SP</td> <td>D60K</td> <td>D75K</td> </tr> <tr> <td>D80K</td> <td>D90K</td> <td>1190E</td> <td></td> <td></td> <td></td> <td></td> </tr> </table> <table border="1" data-bbox="336 566 792 635"> <tr> <td colspan="7">Reedrill</td> </tr> <tr> <td>SKF</td> <td>SKT</td> <td>SK35</td> <td>SK40</td> <td>SK45</td> <td>SK50</td> <td>SK55</td> </tr> </table> <table border="1" data-bbox="336 659 893 727"> <tr> <td colspan="6">Gardner Denver</td> </tr> <tr> <td>DG70</td> <td>GD CL90</td> <td>GD100</td> <td>GD120</td> <td>DD100</td> <td>GD250XP</td> </tr> </table> <table border="1" data-bbox="336 751 786 820"> <tr> <td colspan="7">Bucyrus</td> </tr> <tr> <td>BE-35R</td> <td>45R</td> <td>47R</td> <td>55R</td> <td>49R</td> <td>59R</td> <td>60R</td> </tr> </table> <table border="1" data-bbox="336 844 786 912"> <tr> <td colspan="3">Revathi</td> <td colspan="3">P&H</td> </tr> <tr> <td>35HR</td> <td>37HR</td> <td>C750</td> <td>120</td> <td>250</td> <td>320</td> </tr> </table>	Epiroc							DM25	DM30	DM45	DM50	DML	DMM2	DMM3	DMLSP	PV271	PV275	PV351	T4BH			Tamrock - Drilltech							D25K	D40K	D45K	D50K	D55SP	D60K	D75K	D80K	D90K	1190E					Reedrill							SKF	SKT	SK35	SK40	SK45	SK50	SK55	Gardner Denver						DG70	GD CL90	GD100	GD120	DD100	GD250XP	Bucyrus							BE-35R	45R	47R	55R	49R	59R	60R	Revathi			P&H			35HR	37HR	C750	120	250	320
Epiroc																																																																																															
DM25	DM30	DM45	DM50	DML	DMM2	DMM3																																																																																									
DMLSP	PV271	PV275	PV351	T4BH																																																																																											
Tamrock - Drilltech																																																																																															
D25K	D40K	D45K	D50K	D55SP	D60K	D75K																																																																																									
D80K	D90K	1190E																																																																																													
Reedrill																																																																																															
SKF	SKT	SK35	SK40	SK45	SK50	SK55																																																																																									
Gardner Denver																																																																																															
DG70	GD CL90	GD100	GD120	DD100	GD250XP																																																																																										
Bucyrus																																																																																															
BE-35R	45R	47R	55R	49R	59R	60R																																																																																									
Revathi			P&H																																																																																												
35HR	37HR	C750	120	250	320																																																																																										
Requirements from customer	<p>Drill manufacturer</p> <p>Drill model</p> <p>Deck opening</p> <p>Drill rod diameter</p> <p>Top flange dimensions</p> <p>Deck top slot dimensions</p>																																																																																														

The Mammoth Deckbush can be manufactured to customer specifications



Mammoth *Drill Rod*

www.mammothtech.co.za



Mammoth Drill Rod



Product Description

The Mammoth Drill Rod is an addition to increasing the length of the drill bit depth to extend drilling penetration.

The Mammoth Drill Rod can be manufactured to individual requirements and specifications.

Benefits of the Mammoth Drill Rods

- Quality manufacturing
- Durability for the best performance
- Produced to our outstanding quality control
- Fully repairable dependant on wall thickness



Mammoth Drill Rod

Soft Rock Drilling

Shallower Drilled Holes

Repairability

High Wear

Cost Efficient

Solaris Drill Rods
constructed from:

Graded Mild Steel Typically
used in Nonabrasive Soft Rock
Drilling Formations.

Tool joints are manufactured
from selected heat-treated
alloy steel for the greatest wear
resistance and prolonged life.



Hard Rock Drilling

Deeper Drilled Holes

Repairability

Low Wear

Production Efficient

Meteor Drill Rods
constructed from:

High Grade Alloy typically
used in Abrasive Hard Rock
Drilling Formations.

Tool joints are manufactured
from selected heat-treated
alloy steel for the greatest wear
resistance and prolonged life.



Mammoth Drill Rod



Mammoth Drill Rod

Common Specifications		MAMMOTH TECHNOLOGIES All designs, specifications and components of the equipment described herein are subject to change at the manufacturer's discretion at any time without prior notice.		
Outside Diameter (in)	Outside Diameter (mm)	Wall Thickness (in)	Wall Thickness (mm)	Recommended Connection
4½"	114.0mm	0.500"	13	3½" API & 3" BECO
5"	127.0mm	0.500"	13	3½" BECO
5"	127.0mm	0.750"	19	3½" BECO
5½"	139.7mm	0.500"	13	3½" BECO
5½"	139.7mm	0.750"	19	3½" BECO
6"	152.4mm	0.750"	19	4" BECO
6¼"	158.8mm	0.500"	13	4" BECO
6¼"	158.8mm	0.750"	19	4" BECO
6¼"	158.8mm	1.000"	25	4" BECO
6⅝"	168.3mm	0.864"	22	4½" BECO
7"	177.8mm	0.500"	13	4½" BECO
7"	177.8mm	0.750"	19	4½" BECO
7"	177.8mm	1.000"	25	5¼" BECO
7½"	190.5mm	1.000"	25	5¼" BECO
7⅝"	193.7mm	0.500"	13	5¼" BECO
7⅝"	193.7mm	0.750"	19	5¼" BECO
7⅝"	193.7mm	1.000"	25	5¼" BECO
8⅝"	219.1mm	0.750"	19	6" BECO
8⅝"	219.1mm	0.906"	23	6" BECO
8⅝"	219.1mm	1.000"	25	6" BECO
10¾"	273.1mm	1.000"	25	8" BECO
10¾"	273.1mm	1.250"	32	8" BECO

Mammoth Drill Rods can be manufactured to customer specifications. All thread types are available to suit your application.



Mammoth *Sub Adaptors*

www.mammothtech.co.za



Mammoth Sub Adaptors



Product Description

The Mammoth Top Sub is a short length of drill collar that has male threads on one end and female on the other. It is screwed into the bottom of the top drive (rotary head) or shock sub and onto the drill rod. It serves as a crossover between the top drive (rotary head) or shock sub connections and the rod connection.

The Mammoth Bottom Sub is a short length of drill collar that has male threads on one end and female on the other. It is screwed onto the bottom of the drill rod and onto the drill bit. It serves as a crossover between the drill rod connections and the bit connection.

Benefits of the Mammoth Sub Adaptors

- Quality manufacturing
- Durability for the best performance
- Produced to our standard quality manufacturing procedures
- Fully repairable



Mammoth Sub Adaptors

Common Specifications		MAMMOTH TECHNOLOGIES All designs, specifications and components of the equipment described herein are subject to change at the manufacturer's discretion at any time without prior notice.			
Outside Diameter (in)	Outside Diameter (mm)	Top Sub Pin: API Box: BECO/API	Bottom Sub Pin: API/BECO Box: API	Bit thread sizes to suit machine	Recommended Connection
4½"	114.0mm	<p>Requirements from customer</p> <ul style="list-style-type: none"> • Drill manufacturer • Drill model • Drill rod diameter • Shoulder to shoulder length • Actual thread size • Spanner flat position <p>The Mammoth Top Sub Bottom Sub can be designed to fit any OEM machine application.</p> <p>The Mammoth Top Sub Bottom Sub is not limited to any specific range only.</p>			3½" API & 3½" BECO
5"	127.0mm				3½" BECO
5"	127.0mm				3½" BECO
5½"	139.7mm				3½" BECO
5½"	139.7mm				3½" BECO
6"	152.4mm				4" BECO
6¼"	158.8mm				4" BECO
6¼"	158.8mm				4" BECO
6¼"	158.8mm				4" BECO
6⅝"	168.3mm				4½" BECO
7"	177.8mm				4½" BECO
7"	177.8mm				4½" BECO
7"	177.8mm				5¼" BECO
7½"	190.5mm				5¼" BECO
7⅝"	193.7mm				5¼" BECO
7⅝"	193.7mm				5¼" BECO
7⅝"	193.7mm				5¼" BECO
8⅝"	219.1mm				6" BECO
8⅝"	219.1mm				6" BECO
8⅝"	219.1mm				6" BECO
10¾"	273.1mm	8" BECO			
10¾"	273.1mm	8" BECO			

Mammoth Top Subs | Bottom Subs can be manufactured to customer specifications and thread requirements.

The Mammoth Standard Bottom Sub



The Mammoth Bottom Sub with Hard Facing



Mammoth Sub Adaptors

The Mammoth Top Sub



Product Description

When rods must be added to increase the depth of drilling, the loosening of the threads are now performed at the bottom end of the saver sub as opposed to the bottom of the top drive (rotary head) which is the most expensive part of the drill string. This means that the connection between the top end of the saver sub and top drive (rotary head) is seldom used, and suffers minimal wear and tear, whereas the lower connection is used in almost all cases displacing the most wear and tear from the rotary head connection to the much lower cost, saver sub which is expendable and does not represent a major investment. The top drive or rotary head component, on the other hand represent a significant capital outlay and considerable downtime when it needs to be replaced.

The Mammoth Saver Sub



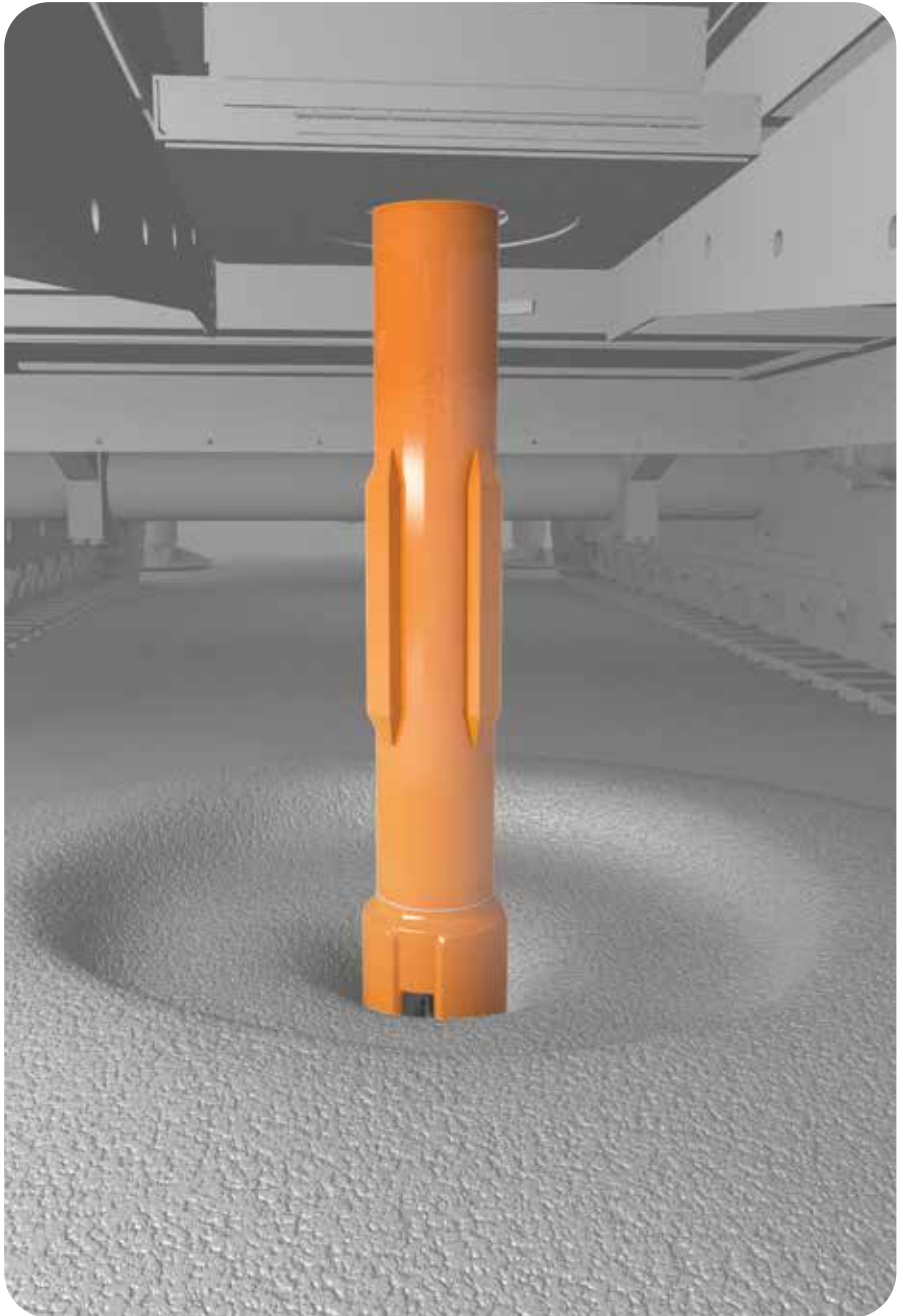


Mammoth *Stabilizer*

www.mammothtech.co.za



Mammoth Stabilizer



Product Description

The Mammoth Stabilizer is key to provide lateral stability to the drill bit during the drilling process.

Lateral stability is a key component to ensure optimal functioning of the drill bit. Stabilizers add to the efficient utilization of energy and force by limiting lateral movement of the drill bit.

Benefits of the Mammoth Stabilizer

- Quality manufacturing
- Durability for best performance
- Produced to our standard quality manufacturing procedures
- Fully repairable



Mammoth Stabilizer



Common Specifications		MAMMOTH TECHNOLOGIES All designs, specifications and components of the equipment described herein are subject to change at the manufacturer's discretion at any time without prior notice.	
Outside Diameter (in)	Outside Diameter (mm)	Recommended Connection	<p>Requirements from customer</p> <ul style="list-style-type: none"> • Drill manufacturer • Drill model • Drill rod diameter • Shoulder to shoulder length • Actual thread size • Spanner flat position • Wear strips <p>The Mammoth Stabilizer can be designed to fit any OEM machine application.</p> <p>The Mammoth Stabilizer is not limited to any specific range only.</p>
4½"	114.0mm	3½" API & 3½" BECO	
5"	127.0mm	3½" BECO	
5"	127.0mm	3½" BECO	
5½"	139.7mm	3½" BECO	
5½"	139.7mm	3½" BECO	
6"	152.4mm	4" BECO	
6¼"	158.8mm	4" BECO	
6¼"	158.8mm	4" BECO	
6¼"	158.8mm	4" BECO	
6⅝"	168.3mm	4½" BECO	
7"	177.8mm	4½" BECO	
7"	177.8mm	4½" BECO	
7"	177.8mm	5¼" BECO	
7½"	190.5mm	5¼" BECO	
7⅝"	193.7mm	5¼" BECO	
7⅝"	193.7mm	5¼" BECO	
7⅝"	193.7mm	5¼" BECO	
8⅝"	219.1mm	6" BECO	
8⅝"	219.1mm	6" BECO	
8⅝"	219.1mm	6" BECO	
10¾"	273.1mm	8" BECO	
10¾"	273.1mm	8" BECO	

Mammoth Stabilizers can be manufactured to customer specifications.
All thread types are available to suit your application.



Mammoth *Accessories*

www.mammothtech.co.za



Mammoth Accessories

Product Description

The Mammoth Bit Breakout Pot is used for the purpose of breaking the drill bit loose from the stabilizer or bottom sub. Our design allows for easy operation and removal of tricone and DTH drill bits.

Benefits of the Mammoth Bit Breakout Pot

- Quality manufacturing
- Durability for the best performance
- Produced to our outstanding quality control
- Fully repairable



Specifications	<p>MAMMOTH TECHNOLOGIES All designs, specifications and components of the equipment described herein are subject to change at the manufacturer's discretion at any time without prior notice.</p>																																																																																														
<p>OEM Machines</p> <p>The Mammoth Bit Breakout Pot can be designed to fit any OEM machine application.</p> <p>The Mammoth Bit Breakout Pot is not limited to the specified range to the right.</p>	<table border="1" style="width: 100%;"> <tr> <td colspan="7">Epiroc</td> </tr> <tr> <td>DM25</td> <td>DM30</td> <td>DM45</td> <td>DM50</td> <td>DML</td> <td>DMM2</td> <td>DMM3</td> </tr> <tr> <td>DMLSP</td> <td>PV271</td> <td>PV275</td> <td>PV351</td> <td>T4BH</td> <td colspan="2"></td> </tr> </table> <table border="1" style="width: 100%;"> <tr> <td colspan="7">Tamrock - Drilltech</td> </tr> <tr> <td>D25K</td> <td>D40K</td> <td>D45K</td> <td>D50K</td> <td>D55SP</td> <td>D60K</td> <td>D75K</td> </tr> <tr> <td>D80K</td> <td>D90K</td> <td>1190E</td> <td colspan="4"></td> </tr> </table> <table border="1" style="width: 100%;"> <tr> <td colspan="7">Reedrill</td> </tr> <tr> <td>SKF</td> <td>SKT</td> <td>SK35</td> <td>SK40</td> <td>SK45</td> <td>SK50</td> <td>SK55</td> </tr> </table> <table border="1" style="width: 100%;"> <tr> <td colspan="6">Gardner Denver</td> </tr> <tr> <td>DG70</td> <td>GD CL90</td> <td>GD100</td> <td>GD120</td> <td>DD100</td> <td>GD250XP</td> </tr> </table> <table border="1" style="width: 100%;"> <tr> <td colspan="7">Bucyrus</td> </tr> <tr> <td>BE-35R</td> <td>45R</td> <td>47R</td> <td>55R</td> <td>49R</td> <td>59R</td> <td>60R</td> </tr> </table> <table border="1" style="width: 100%;"> <tr> <td colspan="3">Revathi</td> <td colspan="3">P&H</td> </tr> <tr> <td>35HR</td> <td>37HR</td> <td>C750</td> <td>120</td> <td>250</td> <td>320</td> </tr> </table>	Epiroc							DM25	DM30	DM45	DM50	DML	DMM2	DMM3	DMLSP	PV271	PV275	PV351	T4BH			Tamrock - Drilltech							D25K	D40K	D45K	D50K	D55SP	D60K	D75K	D80K	D90K	1190E					Reedrill							SKF	SKT	SK35	SK40	SK45	SK50	SK55	Gardner Denver						DG70	GD CL90	GD100	GD120	DD100	GD250XP	Bucyrus							BE-35R	45R	47R	55R	49R	59R	60R	Revathi			P&H			35HR	37HR	C750	120	250	320
Epiroc																																																																																															
DM25	DM30	DM45	DM50	DML	DMM2	DMM3																																																																																									
DMLSP	PV271	PV275	PV351	T4BH																																																																																											
Tamrock - Drilltech																																																																																															
D25K	D40K	D45K	D50K	D55SP	D60K	D75K																																																																																									
D80K	D90K	1190E																																																																																													
Reedrill																																																																																															
SKF	SKT	SK35	SK40	SK45	SK50	SK55																																																																																									
Gardner Denver																																																																																															
DG70	GD CL90	GD100	GD120	DD100	GD250XP																																																																																										
Bucyrus																																																																																															
BE-35R	45R	47R	55R	49R	59R	60R																																																																																									
Revathi			P&H																																																																																												
35HR	37HR	C750	120	250	320																																																																																										
<p>Common Sizes</p>	<p>Tricone Bits 6¾" / 7⅞" / 9⅞" / 12¼"</p> <p>DTH Bits 5" / 5½" / 6" / 6½" / 6¾" / 8" / 8½"</p>																																																																																														
<p>Requirements from customer</p>	<p>Drill manufacturer Drill model Deck opening Drill rod diameter Top flange dimensions Deck top slot dimensions</p>																																																																																														

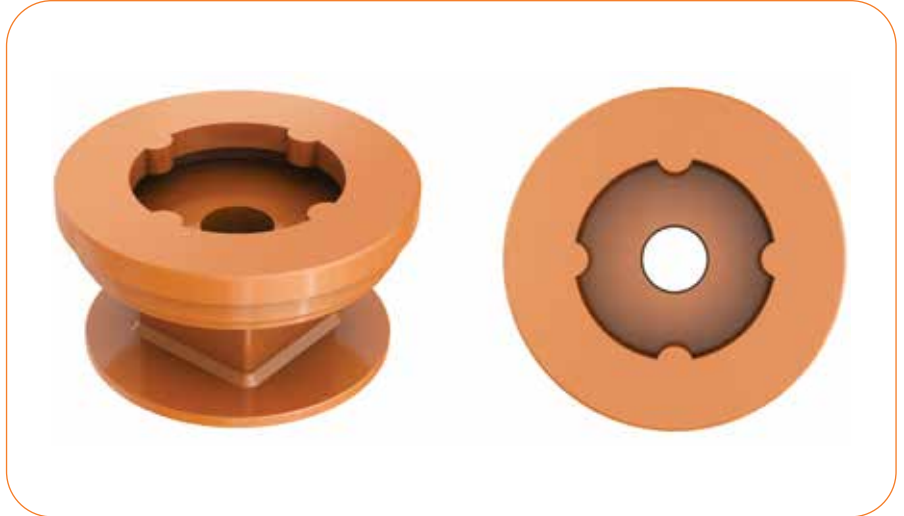
The Mammoth Bit Breakout Pot can be manufactured to customer specifications.

Mammoth Accessories

Mammoth Tricone Bit Breakout Pot



Mammoth DTH Bit Breakout Pot



The Mammoth Male Lifting Bail

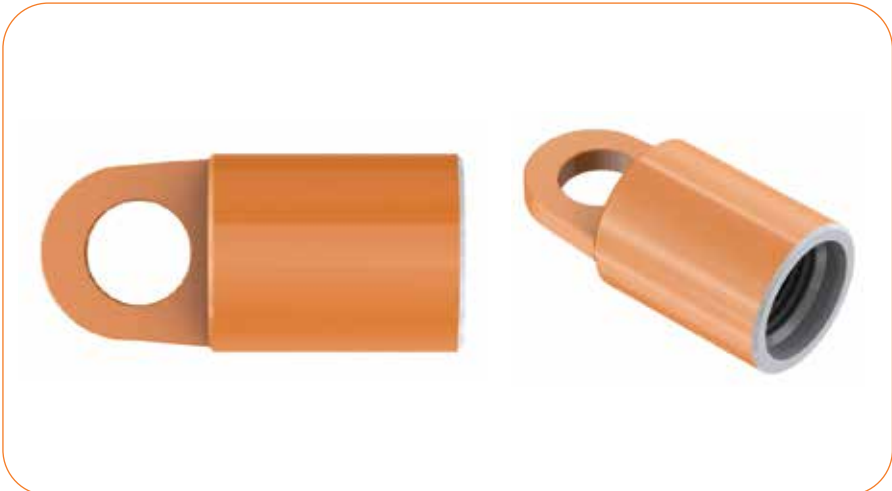
Product Description

The Lifting Bail or Lifting Cup is used to lift the drill rod, sub adaptors, and stabilizer when they are changed on the drill rig.

The Mammoth Male Lifting Bail



The Mammoth Female Lifting Bail





PROVIDING
**BLASTHOLE
DRILLING
PRODUCTS**

SINCE

1999





BLASTHOLE DRILLING

